

Installation instructions

Transport | Installation | Operation | Maintenance



Product line:	NH ₃ Condenser
Model range description:	Condensers – axial; horizontal
Model range:	AGVH

guntner.com/uk

Contents

1	Important basic information.....	5
1.1	Safety instructions.....	5
1.1.1	Observing the instructions.....	5
1.2	Importance of the EN 378 series of standards – refrigeration systems and heat pumps – safety-related and environmental requirements.....	5
1.3	Responsibilities.....	5
1.3.1	Manufacturer's responsibilities.....	5
1.3.2	Responsibilities of the system's installer.....	6
1.3.3	Owner or operator responsibilities.....	6
1.4	Legal notes.....	7
1.5	Instructions.....	7
1.5.1	Scope.....	7
1.5.2	Set-up and other applicable documents.....	8
1.6	Conventions.....	8
1.6.1	Typographical conventions.....	8
1.6.2	List of abbreviations.....	8
1.7	Conventions for safety signs and notices.....	9
1.7.1	General safety symbols and their meanings in these instructions.....	9
1.7.2	Warning symbols and their meaning in these instructions.....	9
1.7.3	Prohibitory signs and their meaning in these instructions.....	10
1.7.4	Mandatory signs and their meaning in these instructions.....	11
2	Safety.....	12
2.1	Labelling on the unit.....	12
2.1.1	Safety signs on the unit.....	14
2.1.2	Labelling on the packaging.....	15
2.1.3	Other signs and notes on the unit or packaging.....	17
2.2	Basic safety notices.....	21
2.2.1	How to act in an emergency.....	21
2.2.2	Personnel, care requirements.....	22
2.3	Proper intended use.....	22
2.3.1	Use according to the intended purpose.....	22
2.3.2	Operating conditions.....	22
2.3.3	Improper use.....	24
2.4	Mechanical residual hazards.....	25
2.4.1	Fins, sharp unit corners and edges.....	25
2.4.2	Fans.....	26

2.5	Electrical residual hazards.....	26
2.6	Thermal residual hazards.....	27
2.6.1	Danger of burns.....	27
2.7	Residual hazards due to refrigerant/ammonia (NH₃).....	28
2.8	Residual hazards caused by vibrations.....	29
2.9	Residual hazards caused by pressurised parts.....	30
2.10	Residual hazards caused by defective installation.....	31
2.11	Residual hazards with break during operation.....	33
2.12	Residual hazards caused by escaping objects or liquids.....	33
2.13	Residual hazards with disposal.....	34
3	Technical data.....	36
3.1	Heat exchanger (typical values).....	36
3.2	Fans.....	36
4	Set-up and function.....	38
5	Fan motor.....	39
6	Transportation and storage.....	40
6.1	Safety.....	40
6.2	Transportation and storage.....	40
6.3	Storage before installation.....	42
7	Set-up and start-up.....	44
7.1	Safety.....	44
7.1.1	Safety instructions for set-up and start-up.....	44
7.1.2	System-side safety requirements.....	46
7.1.3	Customer-side safety precautions.....	47
7.2	Requirements as regards the place of installation.....	48
7.3	Unpacking the unit.....	52
7.4	Installation.....	53
7.4.1	System-side requirements for stress-free installation.....	53
7.4.2	Mounting the vibration dampers (optional).....	54
7.5	Notes on connecting the unit.....	55
7.5.1	Connect the unit to the system.....	56
7.5.2	Unit electrical connection and protection.....	57
7.6	Perform acceptance test.....	58
7.7	Test readiness for operation.....	59
7.8	Putting the unit into operation for the first time.....	59
8	Operation.....	60
8.1	Safety.....	60
8.2	Putting the unit into operation.....	60
8.3	Taking the unit out of operation.....	60

8.3.1	Shutdown, dismantling and disposal.....	61
8.4	Shutting the unit down.....	61
8.5	Putting the unit into operation after a shutdown.....	62
8.6	Changing the unit over to another working fluid.....	62
9	Troubleshooting.....	64
9.1	Safety.....	64
9.2	Service.....	64
9.3	Troubleshooting table.....	64
9.4	Dealing with faults.....	65
10	Maintenance.....	66
10.1	Safety.....	66
10.1.1	Before starting all maintenance.....	66
10.1.2	With all maintenance work.....	67
10.1.3	After all maintenance work.....	69
10.2	Inspection and maintenance plan.....	69
10.2.1	Fans.....	69
10.2.2	Unit heat exchanger.....	70
10.3	Maintenance work.....	71
10.3.1	Remove leaks.....	71
10.4	Clean unit.....	71
10.4.1	General.....	71
10.4.2	Defrost heat exchanger.....	71
10.4.3	Cleaning fans.....	73
11	Plans/diagrams.....	75
11.1	Electrics documentation.....	75
11.1.1	Fan motor connection diagram.....	75

1 Important basic information

1.1 Safety instructions

1.1.1 Observing the instructions

⚠ CAUTION

- ▶ Always keep the instructions in the unit's immediate vicinity at all times.
- ▶ Ensure that the instructions are accessible to all people that have anything at all to do with the unit at all times.
- ▶ Ensure that the instructions are read and understood by all people that have anything at all to do with the unit.

1.2 Importance of the EN 378 series of standards – refrigeration systems and heat pumps – safety-related and environmental requirements

EN 378 deals with safety-related and environmental requirements for designing, constructing, producing, installing, operating, maintaining and disposing of refrigeration systems and cooling equipment.

EN 378 is oriented towards manufacturers, installers and operators of refrigeration systems and cooling equipment (see section 1.2. Responsibilities).

The objective of EN 378 is to restrict the possible hazards of refrigeration systems, cooling equipment and their working fluids (refrigerants and coolants) for people, property and the environment to a minimum.

Insufficient safety measures or non-compliance with safety-relevant regulations can result in:

- Breaks or ruptures on components with the danger of escaping materials (hazards caused by the influence of low temperatures, excess pressure, direct influence of the fluid phase, moving machine parts).
- Escaping working fluid after a break or leak because of defective design, improper operation, insufficient maintenance, repairs, filling and disposal (hazards caused by toxicity, corrosion, frostbite, suffocation, panic).
- Fire or explosions of escaping working fluid with subsequent danger of fire.

1.3 Responsibilities

1.3.1 Manufacturer's responsibilities

The notes provided in these instructions on maintaining the unit's functional safety, on preventing possible hazards during transport, set-up and installation, start-up and operation as well as maintenance activities (cleaning, servicing and repairing) refer exclusively to the unit.

The manufacturer's responsibilities are documented in the unit's version in acc. with EN 378-2 (design, manufacture and testing).

The materials used in the construction and for soldering are designed to withstand the foreseeable mechanical, thermal and chemical stresses, and are resistant to the working fluids used and to mixtures of such working fluids and the oils used to lubricate refrigeration compressors.

The working fluid-carrying parts of the unit (core tubes, distributor tube and header outlet) are configured so that they remain tight with the foreseeable mechanical, thermal and chemical stresses, and withstand the maximum permissible operating pressure.

Material, wall thickness, tensile strength, corrosive resistance, shaping process and testing are suitable for the working fluid used and withstand the possible pressures and stresses that might occur.

All responsibility for the equipment into which the unit is integrated, are the exclusive responsibility of the people involved in the individual workflows.

1.3.2 Responsibilities of the system's installer

The responsibilities of the system installer are documented in the system's version (design, manufacture and testing – in accordance with EN 378-2).

Interfaces between component supplier – installer of the system:

- Güntner GmbH & Co. KG in the event of a fault:
In the event of problems during set-up, installation, start-up and operation, immediately contact Güntner GmbH & Co. KG.

The responsibilities of the system installer in particular include:

- Planning and preparing emergency measures:
To avoid consequential damage caused by operational disruptions, a warning system which immediately signals all faults must be provided on-site. Prepare emergency measures that prevent consequential damage for people and property should faults occur.
- Specify checking and maintenance intervals:
The system must be configured and equipped with all required equipment for maintenance and sufficient servicing and testing in accordance with EN 378-4.

When the unit is integrated into the refrigeration system, the unit's working fluid and version must not deviate from the order-related information specified in the order-related documents.

The installer of the system must refer to the requirement for sufficient instruction of the operating and supervision staff when operating and maintaining the equipment.

It is recommended that the future customer staff – if possible – be present during the set-up and installation, for tightness tests and cleaning, while the system is being filled with working fluid and for the adjustment of the equipment.

1.3.3 Owner or operator responsibilities

The owner or operator responsibilities are documented in the operation, maintenance, servicing and recovery of the system in accordance with EN 378-4.

The owner or operator must ensure that the proper people are sufficiently trained and qualified for operating, monitoring and servicing the system.

The operating personnel for the system must have sufficient knowledge and experience with regard to the mode of operation, operation and daily monitoring of this system.

Before starting up the system the owner or operator must ensure that the operating personnel are adequately instructed about the system's documentation (which these instructions belong

to) on the set-up, monitoring, mode of operation and maintenance of the system and about the safety measures to be observed as well as the properties and handling of the working fluid to be used.

The owner or operator must ensure that when operating, monitoring and maintaining the system the working fluid and version must not deviate from the details specified in the order-related documents.

Planning and preparing emergency measures: To avoid consequential damage caused by operational disruptions, a warning system must be installed on the customer's premises. Prepare emergency measures that prevent consequential damage for people and property should faults occur.

Responsibility remains with the owner or operator of the system, if the system is used by anybody else, unless there is a contrary agreement on sharing responsibility.

If you operate units that are wetted or sprayed with water, you must observe the contents of the VDI guideline 2047-2 "Requirements for the hygienic operation of cooling towers", the specifications of the 42nd BImSchV (Federal Immission Control Ordinance) and the VD-MA leaflet "Notes and recommendations for operating and maintaining evaporation cooling plants" ("Hinweise und Empfehlungen zum Betrieb und zur Wartung von Verdunstungskühlanlagen").

1.4 Legal notes

Warranty claim expires as follows:

- With faults and damage that can be attributed to non-compliance with the requirements set out in these installation instructions.
- With complaints that can be attributed to use of spare parts other than the original spare parts specified in the order-related offer documents.
- With changes to the unit (working fluid, version, function, operating parameters) vis-a-vis the order-related information specified in the order-related offer documents without the manufacturer's prior consent.

Without prior explicit written approval of Güntner GmbH & Co. KG the instructions may not be reproduced electronically or mechanically, circulated, changed, passed on to third parties, translated or used otherwise, in full or in part.

1.5 Instructions

1.5.1 Scope

These instructions apply to condensers in the model range AGVH.

The units are components of a system, e.g. for conditioning and circulating the room air in storage rooms

NOTICE

You will find the precise type of your unit in the attached order-related documents.

1.5.2 Set-up and other applicable documents

The unit's instructions include the following parts:

- These instructions
- Order-related documents
The order-related documents are attached to these instructions and include the following information:
 - The order-related proper use as specified
 - The order-related scope of delivery
 - The order-related technical data
 - The order-related drawings specifying customer, project number and order number
- Motor connection wiring diagram in terminal boxes

These instructions are part of the operating instructions manual of the system provided by the installer of the system .

1.6 Conventions

1.6.1 Typographical conventions

The following text markups are used in these instructions:

Bold	Requires special attention!
Grey triangle	Instructions

1.6.2 List of abbreviations

Abbreviations	Meaning
NH ₃	Ammonia refrigerant
EN 378	European Norm 378: Refrigeration systems and heat pumps; safety-related and environmental requirements
EN	European Norm
DIN	German industrial standard (specification of a standard)
ISO	International Standardization Organization .
°C	Degrees Celsius (Celsius scale temperature)
bar	Unit of pressure
l	Litre (liquid volume)
Vol%	Volume percent (concentration level relative to a volume)
IP	Insulation protection
Q 6,3	Balancing quality
ppm	parts per million, concentration figure, stands for "millionth part"

Abbreviations	Meaning
Hz	Hertz (frequency)
D	Delta connection (alternating current: high speed)
S	Star connection (alternating current: low speed)
3~	3-phase current
1~	1-phase alternating current
VDE	“Verband der Elektrotechnik, Elektronik und Informationstechnik” (Association for Electrical, Electronic & Information Technologies)
TCC	Technical Connection Conditions
EPC	Electric Power Company
VDI	“Verein Deutscher Ingenieure” (German engineers’ association)

1.7 Conventions for safety signs and notices

1.7.1 General safety symbols and their meanings in these instructions

⚠ DANGER
Dangerous situation that will definitely cause serious injury or death if it is not avoided.
⚠ WARNING
Dangerous situation that could cause serious injury or death if it is not avoided.
⚠ CAUTION
Dangerous situation that could cause slight to moderate injury if it is not avoided.
NOTICE
Refers you to possible damage to property.

1.7.2 Warning symbols and their meaning in these instructions



Warns against hand injuries!

Failure to comply with warnings may result in hands or fingers being crushed, dragged in or otherwise injured.



Warns against hot surfaces!

The temperature is over +45°C (at which protein clots) and can cause burns.



Warns against dangerous electrical voltage!

Danger of an electric shock if voltage-carrying parts are touched.



Warns against potentially explosive substances at set-up point

Use of ignition sources can cause explosions at set-up point.



Warns against fire-risk substances at set-up point.

Use of ignition sources can cause fire at set-up point.



Warns against corrosive substances

Contact with corrosive substances can cause injuries, especially to the eyes.



Warns against harmful to health or irritant substances at set-up point

Contact with or inhaling substances that are irritant or harmful to health can cause injuries or damage peoples' health.



Warning of automatic start-up

If the unit starts up automatically during maintenance work there is a danger of pinching/trapping the hands and fingers.



Warns against toxic substances at set-up point

Contact with or inhaling toxic substances can cause injuries or damage the health.

1.7.3 Prohibitory signs and their meaning in these instructions



Fire, open fire and smoking prohibited!

Ignition sources must be kept away and ignition sources must not develop!



No smoking!

Smoking is forbidden.



No entry!

It is prohibited to enter the marked area.

1.7.4 Mandatory signs and their meaning in these instructions



Use eye protection!

Eye protection: Use protective cover, protective glasses or face protection.



Use hand protection!

Protective gloves must protect against mechanical and chemical dangers (see imprinted pictograms).



Use respiratory protection!

Breathing apparatus must be suitable for the working fluid used. Breathing apparatus must consist of:

- At least two independent breathing devices (self-contained breathing apparatus)
- For ammonia: an additional breathing apparatus with filter (full mask) or an independent breathing apparatus (self-contained)



Use protective clothing!

Personal protective clothing must be suitable for the working fluid used and for low temperatures, and must have good heat insulation properties.



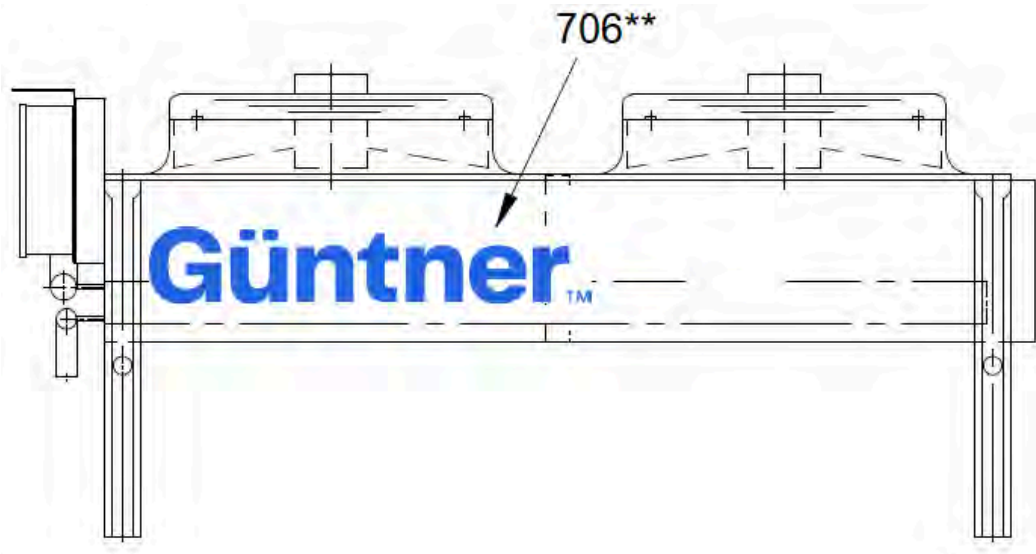
Disconnect prior to work!

Disconnect the electrical system and secure against switching on again before starting installation, maintenance and repair work.

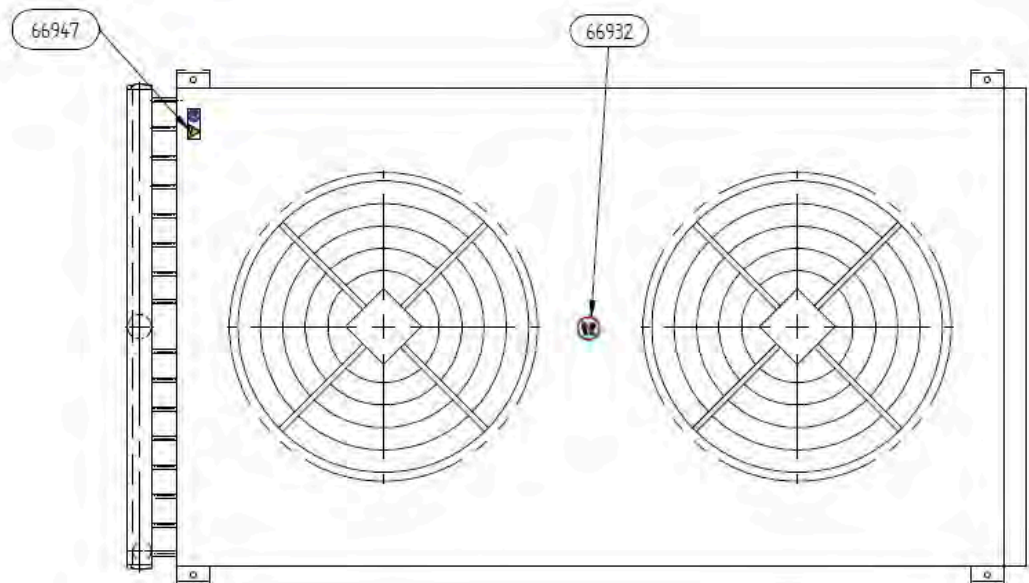
2 Safety

2.1 Labelling on the unit

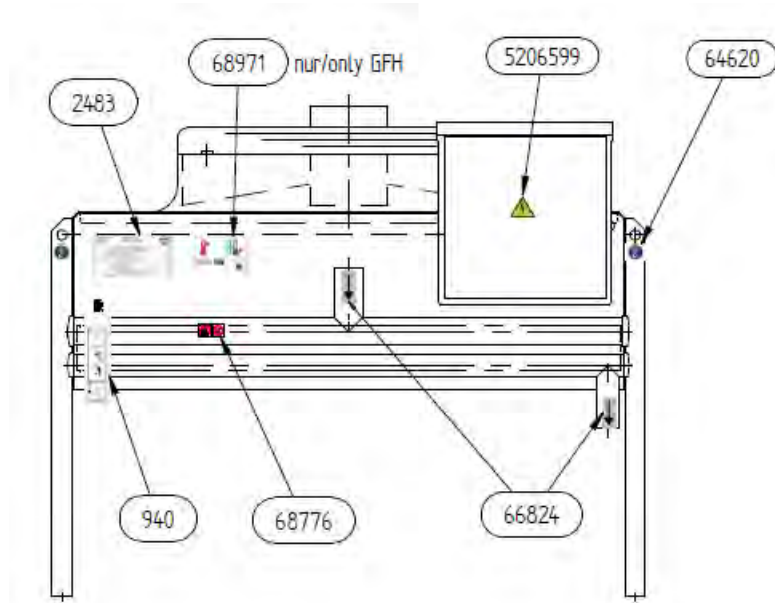
Position of the labels on the unit



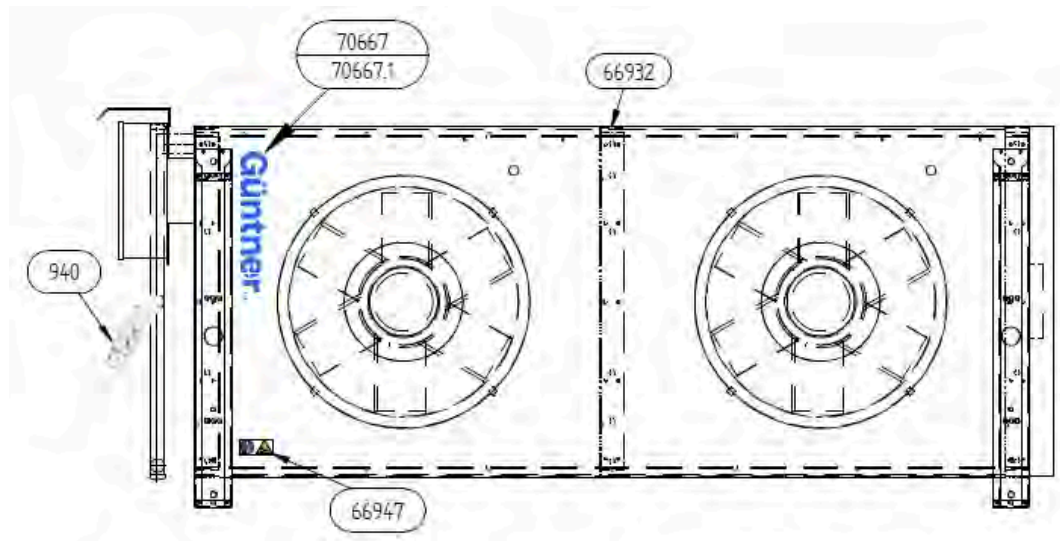
Front view (FLAT)



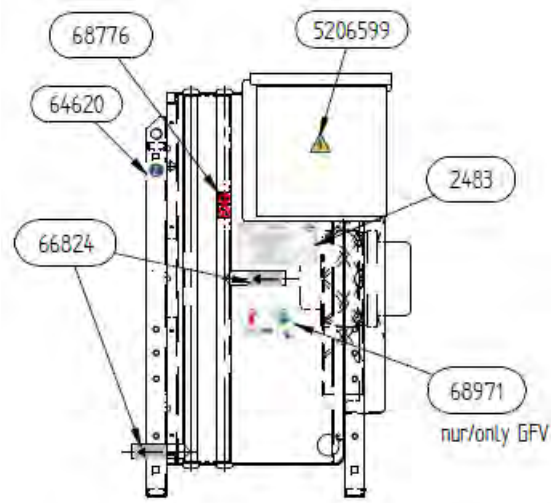
View from above (FLAT)



Side view (FLAT)



Front view (VERTICAL)



Side view (VERTICAL)

2.1.1 Safety signs on the unit

Safety signs on the unit individually:



940 - "Transportation filling" warning sign next to Schrader valve



66947 - Mandatory signs/warning signs: Disconnect power/Warning about hand injuries



64620 - Lifting point



60325, 68776 - "Do not load. Do not lift" warning.



5206599 - Electrical voltage warning (for electrical systems)



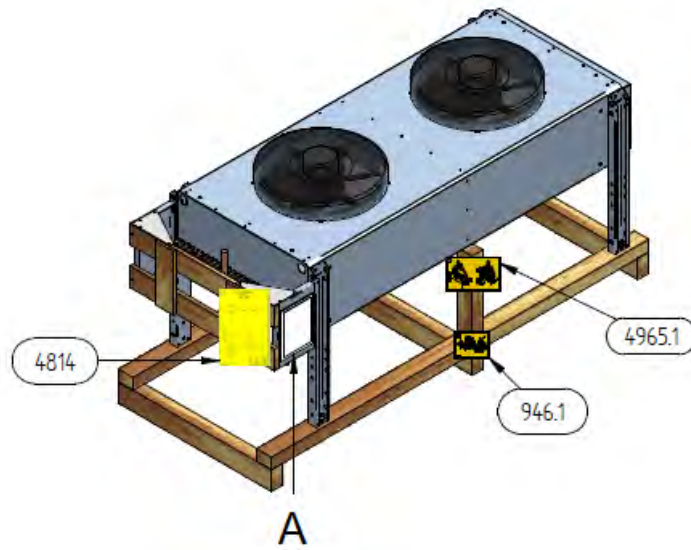
3872 - Earthing identifier



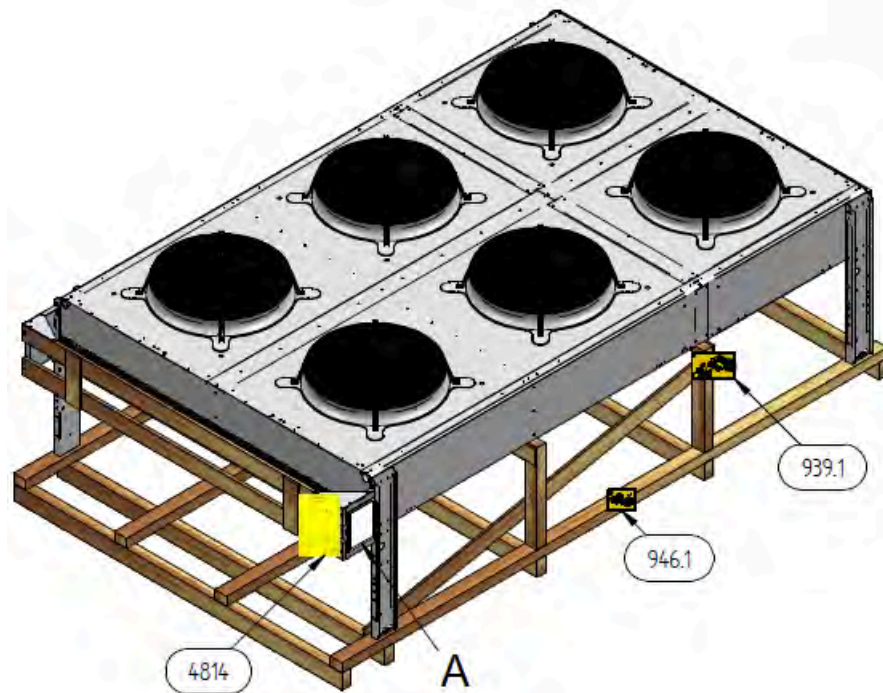
66932 - "No entry" warning sign

2.1.2 Labelling on the packaging

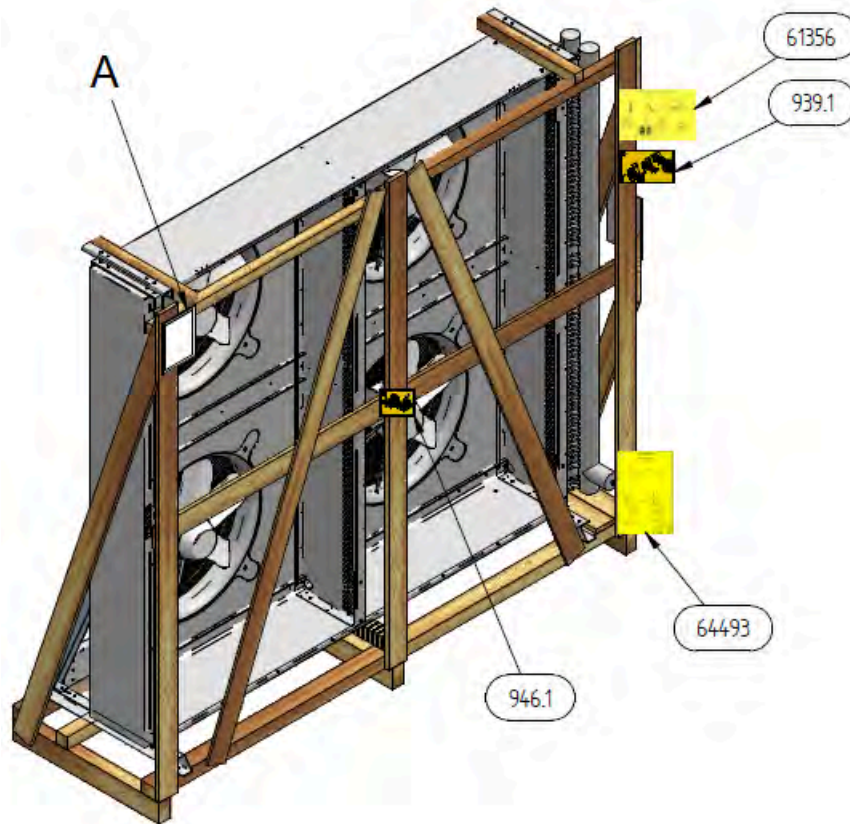
Labels on the packaging



Packaging (FLAT)




Packaging double-row (FLAT)



Packaging (VERTICAL)
A - Intralogistics label

2.1.3 Other signs and notes on the unit or packaging

Güntner GmbH & Co.KG Hans-Güntner-Straße 2-6 82256 Fürstenfeldbruck www.guentner.de		 0036 PED * 			
Projektnummer - Project number	101014529				
Gerätebezeichnung - Unit name	GVH 100.3B/2x4-L(S).E				
Gerät Seriennummer - Device serial number	404157434/52.00042				
Ventilator / ID / Drehzahl - Fan / ID / Speed	VT01407 / 2008 / 480 min -1				
Umgebungstemperatur - Air ambient temperature	-30°C / +50°C				
Herstellungsjahr - Year of manufacture	2015				
*Druckgerät Seriennr. - pressure equipment serial no.	404157435/52.02100				
Volumen - Volume (V)	297.5 l				
Max. zulässiger Druck (PS) Max. allowable pressure (PS)	32 / 0 bar	24 / 0 bar	0 / -1 bar		
Zulässige min./ max.. Temperatur (TS) Allowable min./ max. temperature (TS)	-10°C / +100°C	-50°C / -10°C	-5°C / +40°C		
Prüfdruck (PT) / Prüfmedium Test pressure (PT) / Test medium	35,2 bar / Druckluft - Compressed air				
Prüfdatum - Test date	15.02.2015				
Fluidgruppe / Zustand - Group of fluid / State	2 / gasförmig - gaseous				

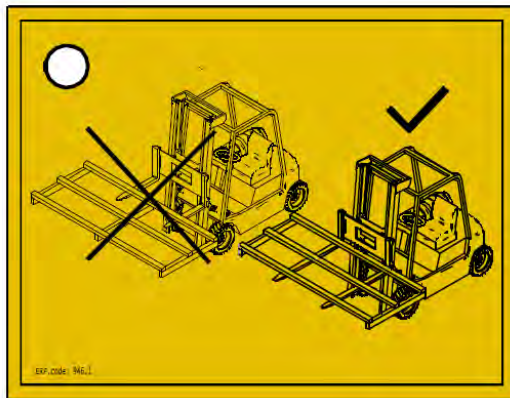
2483 - Example of a nameplate

Güntner™

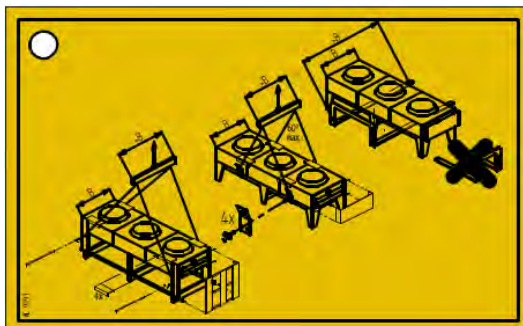
706**, 2118, 2119 – Güntner logo



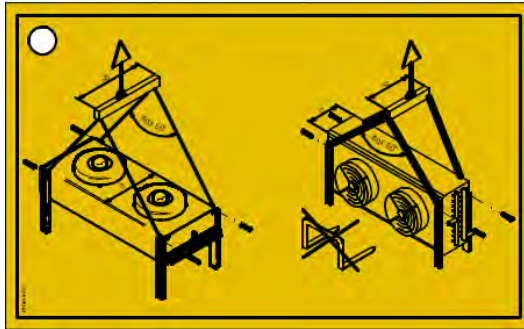
66824 and 68909 - Connections IN and OUT



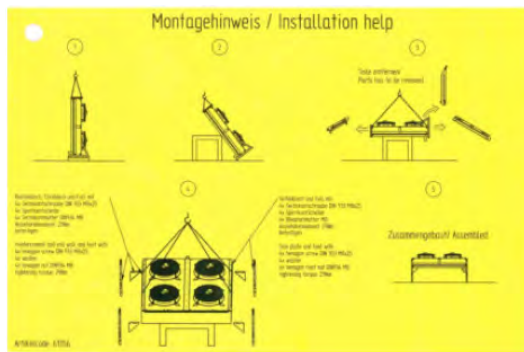
946.1 - Fork-lift transport



939.1 - Transport regulation



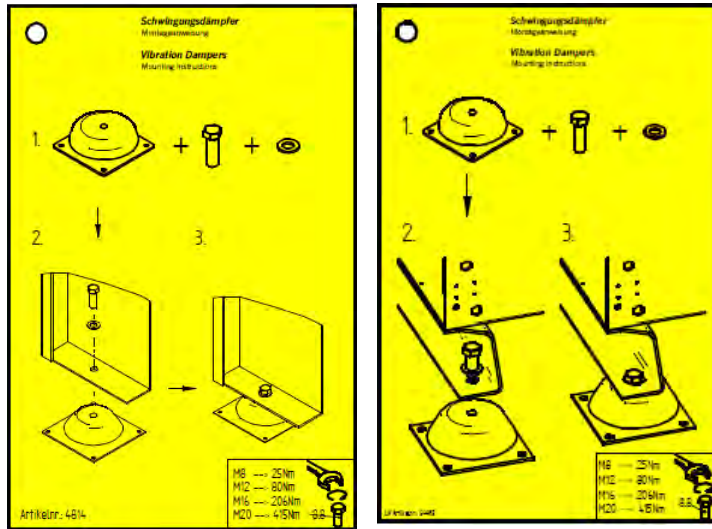
4965.1 - Transport regulation up to a diameter of 067 for units with a base width of 75 mm



61356 - Installation instructions, for double-row units



70274 - Only for transport






4814, 64493 - Notice for vibration damper

2.2 Basic safety notices

2.2.1 How to act in an emergency

⚠ WARNING

Danger of injuries and damage to property!
The unit contains ammonia as a refrigerant (NH₃). Ammonia is a potentially explosive and fire-risk substance. Unintentionally carried in oil residues and unintentionally carried in refrigerant can ignite. An explosion can cause the most serious injuries and loss of limb.

Ammonia is a corrosive, toxic irritant gas. From an ammonia concentration of 0.2 vol % in the ambient air or with a long stay in the ammonia-containing ambient air ammonia can be life-threatening or fatal.

Safety measures and procedure:

- In the event of serious unexpected leakage of refrigerant, leave the set-up room immediately and activate the emergency measures provided, e.g. if:
 - Visibly escaping ammonia liquid or vapour from the heat exchanger or pipe components.
 - Sudden large release (release and evaporation of the greater part of the entire refrigerant filling in a short time, e.g. in less than 5 minutes).
 - Sudden strong smell; very irritating; immediate irritation of the eyes, nose and air passages.
 - Activate NH₃ alarm device (NH₃ concentration > 200 ppm):
- Have experienced, trained personnel with prescribed protective clothing perform all necessary protective and other measures:
 - Use respiratory protection.
 - Use a room air-independent breathing apparatus with maintenance work in high ammonia concentrations in the room air.
 - Ensure the set-up room is well ventilated.
 - Divert escaped refrigerant vapour and escaped refrigerant liquid safely.
- Instructions for dealing with injuries:
 - Call an emergency doctor immediately!
 - Liquid ammonia can cause frostbite or corrosive injuries on the skin or eyes.
 - The injured person must keep breathing apparatus on until further notice to prevent inhalation of vapours from ammonia contaminated clothing.
 - Shower the injured person for five to fifteen minutes with water. Remove the clothing careful during the shower. If ammonia-contaminated clothing is removed without wetting with water first, the injury can worsen, as firmly frozen skin may be torn away. Showering should be with warm water as much as possible to prevent a temperature shock. If available, use an emergency shower; otherwise use a water hose.

2.2.2 Personnel, care requirements

⚠ CAUTION

The unit may be installed, put into operation, operated, maintained and repaired only by trained, experienced and qualified personnel. In order to be considered qualified, people who are to be responsible for the operation, maintenance, repair and evaluation of systems and their components must have the necessary training and specialist knowledge for such work, as stipulated in EN 378-1. Qualified or expert means the ability to satisfactorily perform the activities required for the operation, maintenance, repair and evaluation of refrigeration systems and their components.

The unit may be operated by operating personnel that have no specific knowledge of refrigeration engineering, but have sufficient knowledge and experience with regard to the mode of operation, operation and daily monitoring of this system, . This operating personnel may not make any interventions or settings on the system.

Changes to the unit, which the manufacturer has first agreed to in writing, may only be made by the instructed and qualified personnel.

Electrical installation:

Work on the electrical equipment may only be performed by personnel that have the required expertise (e.g. an electrician or an electro-technically instructed person), and who are authorised by the operator, in compliance with the respective VDE regulations (and national and international provisions) and the TCCs of the EPCs.

2.3 Proper intended use

2.3.1 Use according to the intended purpose

Condensers of the AGVH series are heat exchangers for outdoor installation. Condensers liquefy the refrigerant by dissipating heat to the air that is guided over the dry heat transfer surface by fans.

The unit is delivered for operation with a specific operating point:

- Condensation temperature
- Airflow volume
- Air inlet temperature

The specified operating point is given in the order-related documents.

2.3.2 Operating conditions

The unit is a component a system including its working fluid circuit. The purpose of these instructions, as part of the instructions manual of the system (of which these operating instructions are a part) is to minimise the possible danger to people, property and the environment from the unit and the working fluid used in it. These dangers are essentially connected with the physical and chemical properties of the working fluid and with the pressures and temperatures that occur in the working fluid-carrying components of the unit see "Residual hazards due to refrigerant/ammonia (NH₃)", page 28.

⚠ WARNING

Danger of injuries and damage to property!

The unit may be used only in accordance with the proper intended use. The operator must ensure that when operating, monitoring and maintaining the unit, the fluid used and the mode of operation do not deviate from the order-related information specified in the order-specific documents.

The operator must ensure that maintenance measures are performed in compliance with the instructions manual of the system .

Filling the unit with a different fluid is permitted only following written approval by the manufacturer. You will find the order-related proper use as intended in the order-specific documents.

Do not exceed the max. operating pressure given on the unit's type plate.

2.3.3 Improper use

WARNING

Danger of injuries and damage to property!

Working fluids and their combinations with water or other substances in the working fluid-carrying components have chemical and physical effects from the inside on the materials surrounding them. The unit may be pressurised only with NH_3 . Pressurising the unit with another working fluid results in,

- the structural and welding materials used would be unable to withstand the foreseeable mechanical, thermal and chemical stresses and the pressures that may occur during operation and when shut down,
- material, wall thickness, tensile strength, corrosive resistance, shaping process and testing are not suitable for the working fluid used and do not withstand the possible pressures and stresses that might occur.
- the unit would not be resistant to the other working fluid and the combination of the other working fluid and
- the unit not remaining tight during operation and when shut down.
- a possible sudden escape of working fluids could directly endanger people and/or property and the environment.

The maximum permissible operating temperature specified on the type plate must not be exceeded! If the operating temperature is exceeded,

- the unit would be exposed to an impermissibly high pressure (pressure/temperature correlation),
- signs of material fatigue would emerge,

The maximum permissible operating pressure specified on the type plate must not be exceeded! If the operating pressure is exceeded,

- the parts of the unit carrying the working fluid might not withstand the foreseeable mechanical, thermal and chemical stresses and the pressures that may occur during operation and when shut down,
- the unit would not remain tight during operation and when shut down,
- there may be a possible sudden escaping of working fluids after a break or leakage on working fluid-carrying components, which would result in the following dangers:
 - Danger of escaping materials
 - Danger of poisoning
 - Fire hazard
 - Explosion hazard
 - Chemical burn hazard
 - danger of frostbite (caused by liquid coolant squirting/splashing),
 - Suffocation hazard
 - hazards caused by panic reactions,
 - Environmental pollution

⚠ WARNING

NH₃Condensermust not be used

- where it is possible that short or prolonged effect caused by contact, inhalation or ingestion of the working fluid NH₃ might result in harmful or fatal hazards.
- where it is possible that the lowest concentrations of the NH₃ refrigerant in a homogeneous mixture with air could ignite.
- where the possibility exists of a sudden large release (release and evaporation) of the greater part of the entire working fluid filling in a short time (e.g. in less than 5 minutes).
- where the possibility exists that the longest time that people are exposed to a large release of the NH₃ refrigerant is more than 10 minutes when in an area where people are present, which is not a special machine room (in acc. with EN 378-2), the refrigerant filling (NH₃) of the unit exceeds 50 kg, the occupancy density in the cold room in which the unit is installed exceeds 1 person per 10 m² and the number of clearly identified emergency exits for the number of usually present people are not available.

The unit must not be modified without prior written consent of Güntner GmbH & Co. KG. Modifications to the unit are:

- Changing the operating point (as specified in section see "Heat exchanger (typical values)", page 36)
- Changing the fan capacity (air volume)
- Changing the working fluid flow-through volume
- Changing over to another working fluid

The unit must not be operated if safety devices recommended by the manufacturer are not available, not properly installed or not fully functional.

The unit must not be operated if it is damaged or shows signs of faults. All damage and faults must be reported to Güntner GmbH & Co. KG immediately and must be rectified without delay.

Work on the unit must not be performed without the personal protective equipment prescribed in these instructions.

2.4 Mechanical residual hazards

2.4.1 Fins, sharp unit corners and edges

⚠ WARNING






Warns against hand injuries!
Danger of cuts to hands and fingers on the fins and on sharp edges and corners of the unit.



Use reliable hand protection!

2.4.2 Fans

⚠ WARNING



Danger of cutting off, pulling in!
 There is a danger of cutting off fingers on the rotating fan blades, injury hazard for the hands and pulling in danger for loose elements such as hair, necklaces or clothing parts.

Do not operate fans without guard grille. Pinch/trap point hazard!
 With automatic fan start during maintenance work there is a danger of pinching/trapping for the hands and fingers.

Power off the unit before you begin maintenance work with which you must remove the guard grille. Secure the unit against unintentional switching on again by removing the electric fuses for the unit. Secure the unit with a suitable warning sign referring to unintentional switching on.

2.5 Electrical residual hazards

⚠ WARNING

Warns against dangerous electrical voltage!
 Direct and indirect contact with voltage-carrying components such as motors and electrical lines can cause serious injuries or death.

Power off the unit before you begin maintenance work. See the refrigeration system's system documentation for this. Secure the unit against unintentional switching on again by removing the electric fuses for the unit. Secure the unit with a suitable warning sign referring to unintentional switching on.



Please note that the mains cables may also be carrying voltage, even if the unit is powered off.

Work on electrical equipment may be performed only by people that have the required expertise (e.g. an electrician or an electro-technically instructed person) and who are authorised to do so by the operator.

2.6 Thermal residual hazards

2.6.1 Danger of burns

⚠ WARNING



Warns against hot surfaces!
In operation the heat exchanger of the unit and tubes will be at temperatures of over +45°C. Touching them may cause burns.
With refrigerant temperatures over +45 °C there is the hazard of burns on tube components and distribution tubes.
With refrigerant temperatures of above +45 °C there is hazard of burns on pipe components and header inlets.
Use hand protection!

2.7 Residual hazards due to refrigerant/ammonia (NH₃)

⚠ **WARNING**

Danger of injuries and damage to property with ammonia as refrigerant!
The unit is operated with ammonia (NH₃) as a refrigerant. Refrigerant can cause the following hazard situations and injuries:


Explosion hazard! Fire hazard!
Ammonia is a flammable, explosive gas. The fire and explosion hazard is low because of the high ignition temperature, small ignition range, low explosiveness potential and high affinity with air humidity. Leaks in the unit can cause the NH₃ refrigerant to escape into the set-up area. Direct and indirect ignition sources can cause the refrigerant NH₃ to burn and explode.

- Do not store potentially explosive and fire-risk substances in the set-up room!
- Test the tightness of the unit regularly, as specified in these operating instructions.


Provide fire fighting equipment in sufficient numbers in the unit's set-up area. Observe the details for fire fighting in the NH₃ refrigerant safety data sheet.

Chemical burn hazard!
Leaks in the unit can cause the NH₃ refrigerant to escape into the set-up area. NH₃ refrigerant is corrosive in combination with humidity. Contact with the skin, mucous membranes and the eyes with the NH₃ refrigerant causes chemical burns on the skin, mucous membranes and the eyes. If the NH₃ refrigerant gets into the eyes, the eyes can no longer be kept open because of the strong burning, and orientation is lost.




- Test the tightness of the unit regularly, as specified in these operating instructions.

Danger of poisoning!
Leaks in the unit can cause the NH₃ refrigerant to escape into the set-up area. Ammonia is a toxic irritant gas. Inhaled NH₃ refrigerant causes agitation, dizziness, vomiting and cramps; with heavy concentrations, suffocation and life-threatening pulmonary oedema. Panic sets in. From an ammonia concentration of 0.2 vol % in the ambient air or with a long stay in the ammonia-containing ambient air ammonia can be life-threatening or fatal.



- Test the tightness of the unit regularly, as specified in these operating instructions.
- Ensure that the max. permissible limit values in the set-up room are not exceeded.
- Monitor the ammonia concentration in the ambient air with detectors and alarm devices.

Frostbite hazard
Leaks in the unit can cause the NH₃ refrigerant to escape into the set-up area. Liquid NH₃ refrigerant has a temperature of -33°C. Contact with the skin and eyes with liquid refrigerant causes frostbite of the eyes and skin.



- Test the tightness of the unit regularly, as specified in these operating instructions.

The employers' liability insurance association regulation BGR 500 does not make any specific requirements for refrigeration systems with ammonia for explosion protection for electrical equipment. A hazard may be expected only in an un-ventilated room of a building when the concentration with 105 grams per cubic meter exceeds the lower explosion value and high-energy ignition sources are present. Ammonia is absorbed by water. Water sprays are therefore used with ammonia escapes to precipitate vaporous ammonia. One cubic meter of water can bind approx. 120 kg of ammonia, depending on the temperature.

⚠ WARNING

Danger of injury, damage to property or the environment with ammonia-water combinations!

If water contacts with liquid ammonia, this can result in strong gas development and liquid ammonia splashing about.

- Never sprinkle water on liquid ammonia!
- Do not use water in the machine room to bind vaporous ammonia!
- Ensure that ammonia-water (ammonia solution) never enters water systems or sewage!

2.8 Residual hazards caused by vibrations

⚠ WARNING

Danger of injuries and damage to property caused by escaping materials

If fans are damaged during fan operation, flying parts of the fan blades can injure people or cause damage to property close to the fan.

Fans, components and cables in the system must be designed, constructed and integrated so that dangers caused by vibrations that it or other parts of the system generate are reduced to an absolute minimum, while incorporating all available means for reducing vibrations, preferably at the source.

NOTICE

Damage to property caused by vibrations

Vibrations that are increased by imbalances, as created by dirt or fan blade damage, are regularly caused with fan operation. The vibrations are transferred to the unit, where they can cause damage and damage the unit mounting or refrigeration system components connected to the unit.

Check the fan blades and protection grilles regularly for dirt and the fans for quiet running (see "Fans", page 69).

2.9 Residual hazards caused by pressurised parts

WARNING

Injury and damage to property caused by pressurised parts that contain ammonia refrigerant!

Breaks in pressurised pipes or pressurised components of the unit can cause injuries or damage to property caused by escaping materials. A sudden large release of the working fluid with its hazardous properties after a break or leak on pressurised components of the unit can cause the following hazards:

- Flammability
- Explosion hazard
- Chemical burns
- Frostbite (caused by liquid refrigerant squirting/splashing)
- Suffocation
- Panic,
- Environmental pollution

Ensure that the unit in question is pressure-free before maintenance work begins or remove the working fluid from the unit in question.

2.10 Residual hazards caused by defective installation

WARNING

Injuries and damage to property caused by defective installation!

Defective installation results in hazards caused by:

- Break or leak on liquid-carrying unit components and pipes
- Absence of release devices to prevent liquid escape: Liquid that can heat up during a refrigeration system shutdown state and cause pipes or connection flanges to break when it expands must not be locked in.
- Subcooled liquid in system sections: If system sections are opened with repairs and the pressure is balanced with the atmosphere, there is a danger that liquid, subcooled ammonia will still be in the opened area. Ammonia has a very high evaporation heat, so that the heat penetration in the pipes, for example, which are laid with a "fluid sack", is not sufficient to evaporate the liquid ammonia quickly – especially if this is an insulated line.
- Uneven load distribution on the fixtures with the danger of stresses within the unit or unit displacement (breaks or leaks on fluid-carrying components of the unit and pipes; danger of breaking off).
- Insufficient securing of working fluid-carrying lines against mechanical damage! On-site connections: loaded installation; effect of forces on the distribution and header pipes with the danger of breaks or leaks on fluid-carrying components of the unit and pipes; danger of breaking off!
- Break-off danger of the unit with hazard of escaping working fluid and exposed electrical cables.
- Danger of damage caused by environment-conditional hazard sources (production, transport and other processes at the set-up point).
- Unit functional faults caused by air inlet/outlet obstructions.
- Obstruction of all-side inspection, checks and maintenance, i.e. no unobstructed accessibility to the working fluid-carrying and electrical components, connections and cables, no recognisable identifiers on the pipes and insufficient space for tests.

Ensure that:

- The units are to be installed on the fixing points corresponding with their weights and tightened with fixing bolts. The operator or installer is responsible for ensuring that the bolted connections are of an adequate strength.
- The diameters of the mounting holes have been statically determined by the manufacturer and the fixing bolts are adapted accordingly.
- The fixing bolts are secured against loosening by means of an appropriate locking device.
- The fixing bolts are not overtightened or stripped.
- All fixing bolts are tightened equally to achieve a load distribution on the connections that is as balanced as possible.
- All fixing points maintain the same spacing to the fixing level permanently and under load, so that no mechanical stress occurs in the unit structure. The units are anchored in their fixing position in order to prevent the equipment from moving.
- The functional safety of the fixing bolts is tested as part of the maintenance periods. see "Maintenance", page 66,
- The unit is fixed and set up so that it is not damaged by environment-conditional hazard sources (production, transport and other processes at the set-up point) or its functioning is not disturbed by the interventions of unauthorised persons.
- The units are fixed and set up so that unobstructed air inlet/outlet is constantly available without any air short circuiting.

- The units are fixed so that they can be inspected, checked and maintained from all sides at all times, i.e. there must be unobstructed access to the refrigerant-carrying and electrical components, connections and lines, the pipeline labelling must be identifiable and adequate space must be available for testing.
- The working fluid-carrying lines must be protected against mechanical damage. On-site connections: when installing keep the unit free of load; force must not be exerted on the distribution and header pipes.
- The following must be observed without fail when installing the unit:
 - It is vital to maintain proper spacing from objects that could be endangered by an explosion or the toxic effect of NH₃.
 - Provision of measures to safeguard protective objects from an NH₃ concentration of more than 200 ppm.
 - Easily flammable materials must not be placed below the unit.
 - Set up and fix units as follows: In areas that are used for inner-plant traffic, the pipelines to and from the unit must be installed only with connections and fittings that cannot be removed.
 - Release devices to prevent liquid escapes must be provided and available.
 - Subcooled liquid may be present in only the lowest possible amount in system sections in shutdown state – minimized number of “fluid sacks”.
 - That when switching over a duty pump to a reserve pump no liquid, cold refrigerant remains in the pump.

2.11 Residual hazards with break during operation

WARNING

Injuries and damage to property caused by break during operation!

- Incorrect installation (see "Residual hazards caused by defective installation", page 31),
- Non-compliance with maximum permissible operating pressure (see "Operating conditions", page 22),
- Disregarding pressurised line sections with maintenance (see "Residual hazards caused by pressurised parts", page 30),
- Disregarding residual hazards caused by vibrations (see "Residual hazards caused by vibrations", page 29)

result in ruptures during operation and maintenance. This results in dangers caused by

- escaping materials (see "Residual hazards caused by pressurised parts", page 30),
- released working fluid (see "Residual hazards due to refrigerant/ammonia (NH₃)", page 28)

Ensure that:

- The installation is fault-free.
- The maximum permissible operating pressure is always adhered to.
- Pressurised line sections are de-pressurised before all maintenance and repair work.
- Vibrations from the refrigeration system (vibrations caused by the complete system's compressors, components and lines,) and from the fan (imbalances caused by frost, ice, accumulations of dirt or damage) are reduced with all available means and brought down to an absolute minimum.
- Release devices to prevent liquid escapes are provided and available.
- Undercooled liquid is only present in the lowest possible amount in system sections in shutdown state – minimized number of "fluid sacks".
- When switching over a duty pump to a reserve pump no liquid, cold refrigerant remains in the pump.

2.12 Residual hazards caused by escaping objects or liquids

WARNING

Injuries and damage to property caused by escaping objects or liquids!

Residual hazards caused by escaping objects and liquids (see "Residual hazards with break during operation", page 33).

2.13 Residual hazards with disposal

WARNING

Danger of injuries and damage to property caused by working fluid ammonia NH₃!

The following notes are recommendations for the proper professional disposal of the unit. Applicable waste disposal laws are binding for the country of operation:

- Disposal must only be carried out by experts.
- All unit components, e.g. working fluids, refrigerator oil, heat exchangers, fans, must be disposed of properly as specified.
- Used working fluid that is not determined for reuse, must be treated as waste and safely disposed of. There must be no emissions into the environment.
- The NH₃ refrigerant must be filled into a special refrigerant container in compliance with the respective safety measures. This special refrigerant container must be suitable for the NH₃ refrigerant. It must be easy to identify and labelled for the refrigerant, e.g. "NH₃ (ammonia) recovered".
- A disposable single-use container must not be used, as refrigerant vapour residues in the container escape during disposal.
- The working liquid receiver must not be overfilled. The maximum permissible pressure of the working fluid container must not be exceeded during the work process.
- The working fluid must not be filled in a liquid container that contains another or an unknown working fluid. This other or unknown working fluid must not be released into the atmosphere, but rather identified, treated again, or properly disposed of as specified.
- An officially authorised facility can be used for destroying the working fluid.
- Used refrigerator oil that has been recovered from the unit and cannot be treated again, must be kept in a separate, suitable container, treated as waste and safely disposed of.
- It must be ensured that all unit components containing working fluids and refrigerator oil are disposed of properly as specified.
- The unit is made primarily of the basic materials galvanized steel, aluminium, steel, galvanized steel (casing), copper, polyamides (electrical components), stainless steel, insulating material, (heating rods for electric defrosting, option, accessories at the customer's request). These materials can be handled by the waste industry, even in paint-treated state, and recycled via mechanical and thermal separation.
- Before scrapping the working fluid-carrying unit components must be drained, whereby the pressure must be reduced to at least 0.6 bar absolute for a unit pipe volume up to and including 200 l, and to 0.3 bar absolute for a unit pipe volume over 200 l. The pressure reduction process is then ended when the pressure no longer increases and remains constant, and the unit is at ambient temperature.

⚠ WARNING

Danger of environmental pollution!

The ammonia (NH₃) refrigerant is classified in acc. with the "Catalogue of Substances Hazardous to Waters" as water hazard class 2.

Escaping ammonia can enter the environment wind-born. Ammonia is lighter than air and rises quickly. It is diluted with the air to harmless concentrations. But even if the concentration is harmless, the ammonia smell is still irritating. Ammonia's classification as "toxic" means that people in the area will be concerned.

- Ensure that no working fluid enters water systems or sewage.
- With serious ammonia escapes into the waste water system, for example when ammonia vapour is broken down by water: immediately report the incident to the responsible office for the local waste water system.
- Operate the facility for recovering or disposing of working fluids so that the danger of a working fluid or refrigerator oil emission into the environment is kept as low as possible.

Güntner GmbH & Co. KG's transport packaging is made from environmentally compatible material and is suitable for recycling.

3 Technical data

3.1 Heat exchanger (typical values)

NOTICE

The typical values given here refer to standard types of this series. The following is valid especially for special equipment: Please observe the data in the calculation (Annex) and on the nameplate.

NOTICE

The fans' capacity values depend on the ambient temperature and on the air resistance at the set-up point.

All electrical parts must be installed in accordance with EN standards.

Project number	See order-related documents
Unit name	See order-related documents
Manufacturer number	See order-related documents
Production year	See order-related documents
Working fluid	R 717 (ammonia, NH ₃)
Volume	See order-related documents
Maximum permissible pressure (PS)	0 - 32 bar
Test pressure	35.2 bar
Permissible air humidity	> 100%
Test date	See order-related documents
Test medium	Dry air
Airborne noise emitted	See order-related documents In accordance with the standard procedure for calculating sound level described in EN 13487; Annex C (normative).
Weight	See order-related documents

3.2 Fans

230 V 1~ 50 Hz is switched in alternating current for fans with 650 mm diameter used for AGVH.

The fans with 800 mm to 1000 mm diameter are connected in alternating current with 400 V 3~ 50 Hz and can be speed-controlled with Güntner control units.

The alternating current fans can generally be operated with 2 different speeds by D-S changeover. 5 capacity/sound levels (N, M, L, S, E) can be delivered.

The fans' technical delivery conditions comply with DIN 24166, accuracy class 2.

Fan type	See order-related documents
Protection rating	IP 54, ISO F and DIN VDE 0530
Current type	Rotating or alternating current
Voltage	400 V 3~ 50 Hz or 230 V 1~ 50 Hz
Balancing quality	Q 6.3 in acc. with VDI 2060
Permissible air temperature	Operating range: at least -30°C to +55 °C
Protective devices	<ul style="list-style-type: none"> • Thermal: Thermo-contacts (break contact) • Mechanical: Protective contact grille in acc. with EN 294

4 Set-up and function

The condenser consists of

- a heat exchanger, consisting of pipe coils fitted with fins, (stainless steel pipe; aluminium fin)distribution and header pipes (stainless steel)and pipe connections to the pipeline system,
- a self-supporting casing structure the number of legs, and for increasing the bending under load and torsional stiffness. The casing consists of galvanized sheet steel, painted in RAL 7032, pebble grey,
- and – depending on the version – one or more axial fans. Two fan versions are possible here: normal and boosted (optional).

Condensers of the AGVH series are intended for installation in a refrigeration system. The refrigeration system is a combination of refrigerant-carrying components and fittings connected with one another, which form a closed circuit, in which the refrigerant circulates.

The refrigerant absorbs heat at a low temperature and low pressure and evaporates (evaporator-side), and at a higher temperature and higher pressure gives off the heat again and condenses itself (condenser-side). The condensers condense the refrigerant by giving off heat to the air that is moved by fans over the dry heat exchanger surface.

The ammonia (NH₃) refrigerant used is a Group L2/B2 refrigerant (see "Residual hazards due to refrigerant/ammonia (NH₃)", page 28).

5 Fan motor

NOTICE

During longer periods of storage or standstill, the fans must be activated during 2 to 4 hours per month.

NOTICE

For fans with the protection rating IP55 or higher, existing closed condensation water holes must be opened at least once every six months.

AC technology

The AC motors are protected against overheating by a thermocontact (or PTC resistor).

For motors with a thermocontact, the thermocontact must be switched in such a way that the motor cannot be powered on when the thermocontact is triggered. A locking mechanism is recommended to prevent unintentional renewed power-on.

Motors with a PTC resistor need an additional external trigger unit for the installed thermistors. A locking mechanism is recommended to prevent unintentional renewed power-on. The test voltage at the thermistors is not permitted to exceed 2.5 V or only current-limiting test devices are allowed to be used.

When using a star-delta connection, a corresponding delay must be considered.

For motors with direct starting and a connection value > 4.0 kW, an inrush current limitation (soft start using a thyristor) could be required.

If frequency converters are to be used for speed control, the following points must be considered for external rotor fans:

Between the frequency converter and fans, all-pole sine-wave filters must always be installed (sine wave-shaped output voltage; filter effect between phase to phase and phase to earth).

All Güntner frequency converters are equipped with this function as standard. Conventional three-phase motors are suitable for direct operation with frequency converters.

Three-phase fan motors can be operated with a star-delta connection or with speed control. The direction of rotation must be checked. A change in the direction of rotation, if it is wrong, is made by interchanging two phases.

EC technology

NOTICE

The fan motors have their own electronic power component. This power component is controlled by means of Güntner Motor Management (GMM). The motors can be operated using single-phase (1~, 200 - 277 V AC, 50/60 Hz) or three-phase (3~, 380 - 480 V AC, 50/60 Hz) voltage rates, depending on type. When operated without GMM, the fans should be controlled with a voltage of 0 - 10 V. Refer to the connection plans or the information on the motor terminal box for details on the electrical connection.

6 Transportation and storage

6.1 Safety

⚠ WARNING

Crushing danger with falling down!

The unit weighs between 115 kg and 3315 kg. It can slip and fall off the transporting device, causing serious injuries or death. Heavy impacts or vibrations can damage the unit.

Ensure that the assigned staff is trained for proper unloading.

Ensure that nobody is under the unit or near the loaded area during the transport.

Ensure even weight distribution. Observe the transport label on the packed unit (see "Other signs and notes on the unit or packaging", page 17).

Crane and forklift transport: Ensure that there is no snow on the unit and no wind.

Secure the unit against slipping and mechanical damage.

When transporting by crane: The hooks and shackles of the load lifting equipment must be only attached at the points specified by the manufacturer, i.e. at the factory mounted crane lugs. Ensure that the unit casing is not crushed by slings.

Use auxiliary transport equipment where required. Use a transporting device appropriate for the unit's weight. You will find the weight of the unit in the order-related documents (see "Set-up and other applicable documents", page 8). Do not use connection pieces and outlet headers as attachment points for lifting, pulling, fixing or mounting. This can cause leaks.

Transport the unit carefully. Particularly avoid setting the unit down hard.

Only step on to the units with firm, tough and safe footwear, and only when required.

If the units do not have any railings, only walk on them with a safety harness that prevents falling.

6.2 Transportation and storage

NOTICE

Read and observe all transport signs on the units' packaging!

Prolonged mechanical stresses caused by uneven road surfaces and potholes and vibrations during transport by ship can cause transportation damage. Before transportation by sea or in countries with difficult transport routes, attachment parts that are likely to vibrate – in particular fans and base stands – must be removed for transportation.

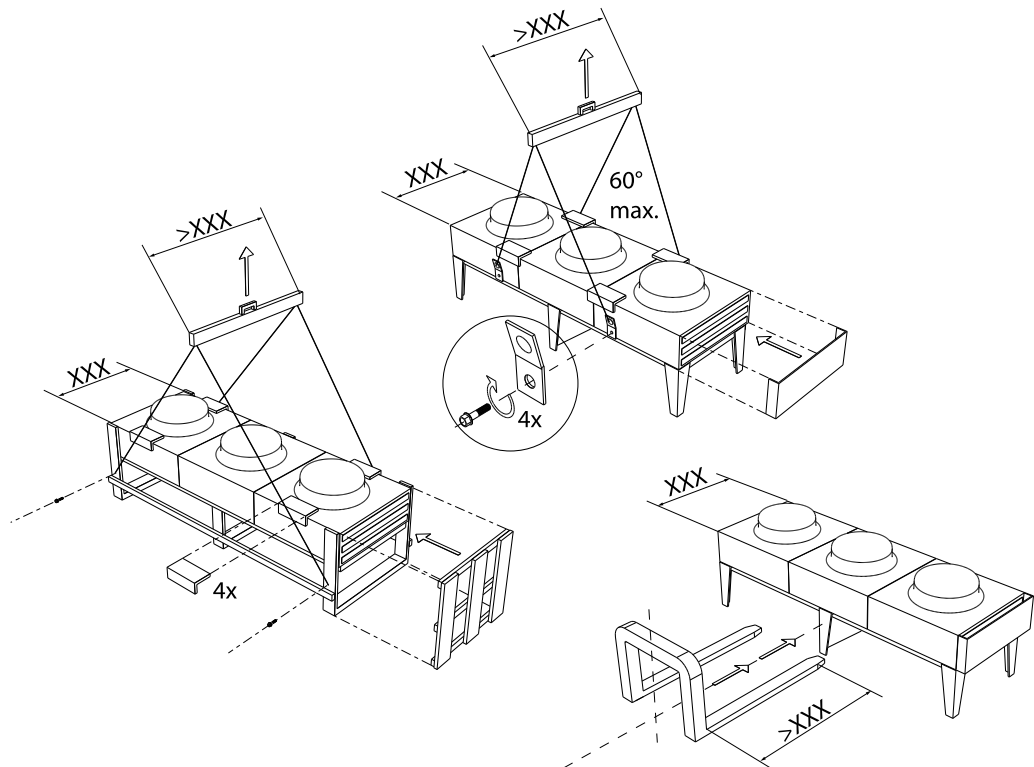
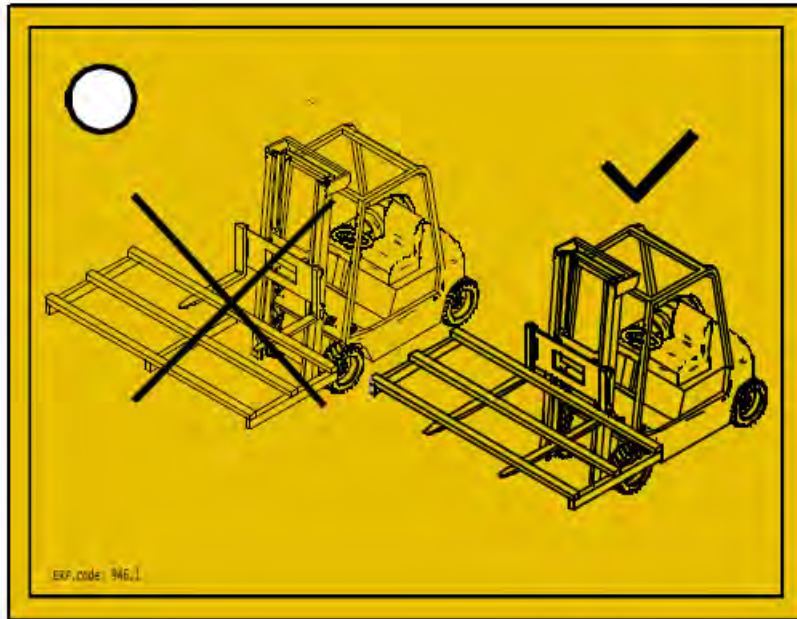
- ▶ Use suitable equipment to transport the packed unit to the destination installation site (for example, a crane or fork-lift).
- ▶ Unload the unit.

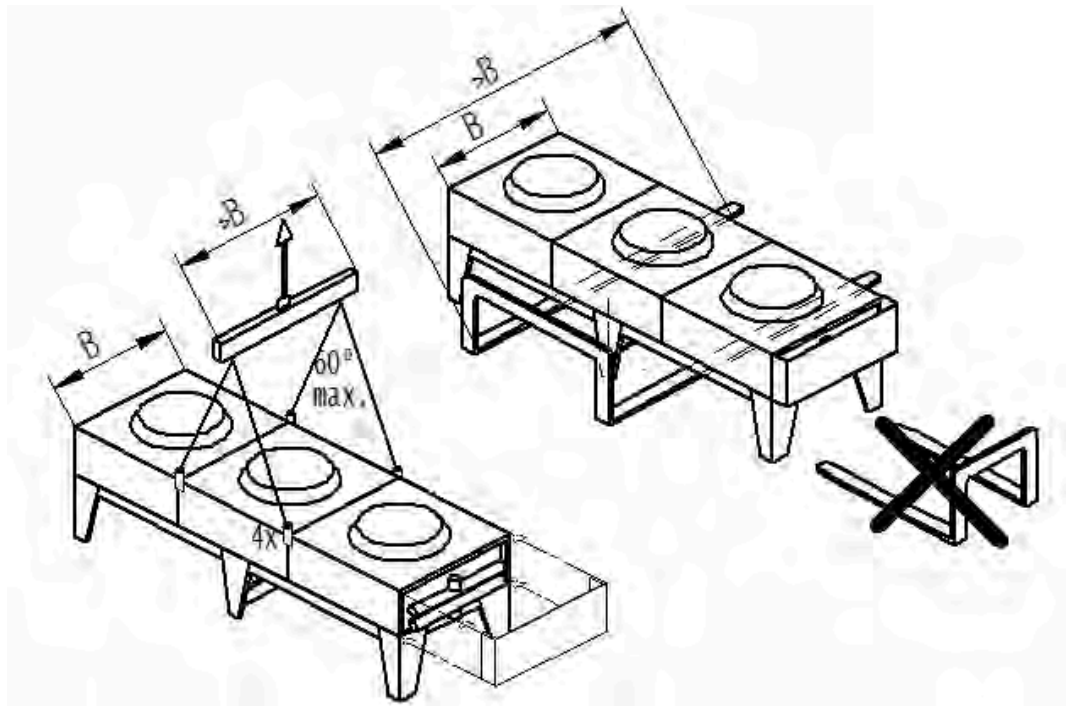
⚠ WARNING

Danger of damage to goods by falling when transporting by fork-lift!

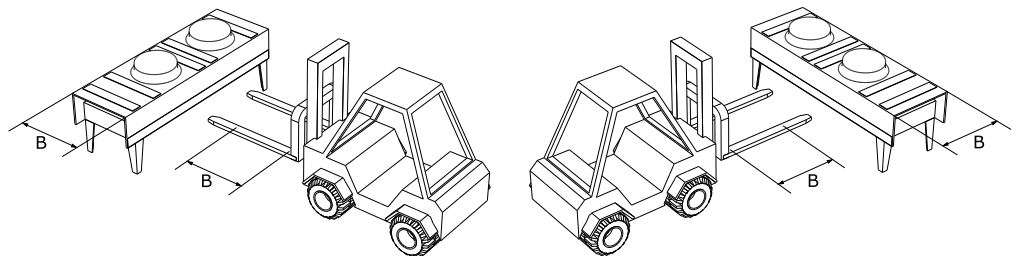
Packed units that are not lifted with forks of appropriate length could slip and fall.

Only lift the packed unit with a fork-lift with full fork length. Be careful to comply with the positioning specifications for the fork-lift.





Transport specification for new series



4 - Usage area for forklifts in accordance with SP 34

6.3 Storage before installation

NOTICE

Danger of corrosion and dirt build-up!

Ammonia as a refrigerant is extremely deliquescent, i.e. it attracts moisture. Moisture and dirt must be prevented from entering the unit.

- ▶ Protect the unit against dust, dirt, moisture and wetness, damage and other harmful effects. Harmful effects: see "Safety instructions for set-up and start-up", page 44
- ▶ Do not store the unit for longer than necessary. Only store the units in their original packaging until installation. Always only place packaging units of the same size on top of one another.

- ▶ Store the unit at a protected place free of dust, dirt, moisture and damage-free until its set-up (well-ventilated halls or roofed storage site).
- ▶ If the unit set-up is delayed with regard to the planned installation time: protect the unit against weather and other harmful effects and dirt and other contaminants with an appropriate cover. The unit must also be well-ventilated here.

7 Set-up and start-up

7.1 Safety

7.1.1 Safety instructions for set-up and start-up

⚠ WARNING

Danger of injuries and damage to property with escaping ammonia refrigerant!

Incorrect installation causes the danger of working fluid escaping when the unit is operated and injuries or damage to property (see "Residual hazards due to refrigerant/ammonia (NH₃)", page 28)

Follow the set-up instructions in this chapter precisely and apply extreme care!

NOTICE

Danger of damage to the system!

Foreign materials and contaminants in the working fluid circuit can impair the effectiveness or damage system components. Particularly harmful contaminants are:

- Moisture
- Atmospheric air
- Welding residues
- Rust
- Soot/ash/cinders
- Metal cuttings
- Unstable oils
- Dust and dirt of all kinds

Moisture in the working fluid-carrying components of the unit can have the following consequences:

- Water separation and ice formation cause faults in the switching and control fittings of the refrigeration system
- Acidification
- Ageing and refrigerator oil decay
- Corrosion

Atmospheric air and other non-condensable gases can have the following consequences:

- Refrigerator oil oxidation
- Chemical reactions between working fluid and refrigerator oil
- Increased condensing pressure in the system

Chemical reactions between working fluid and refrigerator oil with the absence of moisture or atmospheric air with ageing and working fluid and refrigerator oil decay can have the following consequences:

- Formation of organic and inorganic acids
- Increased compressed gas temperature in the system
- Corrosion
- Bad lubrication, increased wear and tear throughout the system or failure

Other contaminants can cause:

- Accelerated chemical processes (decomposition)
- Mechanical and electrical faults in the refrigeration system

During the installation (connecting the working fluid-carrying components of the unit to the working fluid-carrying system of the installation's ensure that internal contamination is strictly avoided.

Perform the installation with extreme cleanliness.

Finish all on-site pipe installation work before releasing the transport pressure!

Only release the transport pressure immediately before installation.

Only remove the sealing caps on the distribution and header pipe immediately before installation.

NOTICE

Danger of corrosion and dirt build-up!

Ammonia as a refrigerant is extremely hygroscopic, i.e. it attracts moisture. Moisture and dirt must be prevented from penetrating the unit. If moisture and dirt penetrate the unit there is also the risk of damage to fittings and other components.

Protect the unit against dust, contamination, moisture and wetness, damage and other harmful influences. Harmful influences are, for example:

- Mechanical: Damages caused by impacts, objects falling on or against, collisions with transport equipment, etc.
- Physical: Damages caused by close by concentrated flammable gases
- Chemical: Damages caused by contaminated atmospheres (salt, acid, chlorine, sulphur-containing, or similar)
- Thermal: Damages caused by close-by heat sources

Begin with the installation as soon as possible.

⚠ WARNING

The electrical installation may be performed only by electricians (or by expert technicians with appropriate qualifications) in compliance with the relevant VDE rules (or applicable national and international regulations) and the TCC of the EPCs!




7.1.2 System-side safety requirements

The unit is a component a system and can only be operated in conjunction with the system .

- All equipment required for operating the unit must be integrated into the switching and activation equipment (complete system) :
 - Electrics: Fans and other electrical components
 - Working fluids: valves and fittings
- The working fluid-side and electrical connections must be available on the system. The connections must be specified in the order-related documents.
- The power supply of the fans must be provided in acc. with the specifications on the type plate on the fan motors.
- A switch-off device for preventing unexpected start-up (repairs switch), which separates all active conductors from the power supply (all-pole switch-off), must be provided for the fans in acc. with EN 60204-1.
- The fans' switch-on/off device must be secured (e.g. with a padlock) to prevent uncontrolled fan start-up.
- The electrical motor, repairs switch, terminal box and switching cabinet connections must be provided in acc. with the respective connection diagrams.
- It must be possible to shut off the unit if a leak occurs.
- People wearing ambient air-independent breathing apparatus in full protective clothing must also be able to activate all safety-relevant shut-off fittings.
- It must be possible to activate all devices meant for diverting escaping working fluids from a safe position.

7.1.3 Customer-side safety precautions

⚠ WARNING

Danger of injuries and damage to property!
 The unit contains ammonia as a refrigerant (see "Residual hazards due to refrigerant/ammonia (NH₃)", page 28). Ammonia is a potentially explosive and flammable substance. Ammonia is a toxic irritant gas. An ammonia concentration of more than 0.2 vol % in the ambient air or breathing in ambient air containing ammonia for long periods can be life-threatening or even fatal. Comply with the requirements of EN 378-3 for refrigerants, filling weight and cold transfer systems.

Install the unit in accordance with EN 378-1 only in the commissioned configuration and only in a set-up room that the unit manufacturer has configured the unit for.

Install the unit in accordance with EN 378-3, section 5 in a special machine room if an explosion or ammonia concentration of more than 200 ppm could endanger the work environment. Take effective protective precautions if such a spatial separation were to be required, but is not possible.

Install the electrical equipment (for fan operation, for ventilation, for lighting and for the alarm system) in the set-up room while observing the condensing-out of moisture and drip water formation, as well as the risk level of ammonia (NH₃) in accordance with EN 378-3; section 6.

Arrange ammonia detectors and alarm systems to warn of explosion or fire dangers and ammonia concentrations that are hazardous to health and for control purposes in the unit set-up room in accordance with EN 378-3; section 7.

Ensure that the device in the set-up room is not exposed to any inadmissible high temperature effects. Effectively protect the unit against heat sources or temporary high temperatures.

⚠ WARNING

Danger of environmental pollution!

The ammonia (NH₃) refrigerant is classified in accordance with the "Catalogue of Substances Hazardous to Waters" as water hazard class 2. Refrigerant must never enter water systems or sewage.

Escaping ammonia can enter the environment wind-born. Ammonia is lighter than air and rises quickly. It is diluted with the air to harmless concentrations. But even if the concentration is harmless, the ammonia smell is still irritating. Ammonia's classification as "toxic" means that people in the area will be alarmed.

- Set up the unit so that liquid ammonia, which can escape from the unit in the event of a fault, cannot enter water systems or sewage.
- With serious ammonia escapes into the waste water system, for example when ammonia vapour is broken down by water: immediately report the incident to the responsible office for the local waste water system.
- If an ammonia puddle has formed on the floor under the unit, covering with a film (PE, for example) or synthetic medium expansion foam (fire department) can cut off almost all the heat dissipation to this liquid and therefore the vapour formation, so that there is enough time for disposal measures.

7.2 Requirements as regards the place of installation

You will find the dimensions and weights in the order-related documents.

- ▶ Ensure that the unit is set up so that it is not damaged by environmental hazard sources (production, transport and other processes at the set-up point) and its functioning is not disturbed by the interventions of unauthorised persons.
- ▶ Position the unit so that it cannot be damaged by internal traffic or transport processes.
- ▶ Enable optimum unit control and accessibility:
 - Place the unit so that it can be monitored and controlled from all sides at all times.
 - Ensure that sufficient space is provided for maintenance.
 - Ensure that all fluid-carrying components, connections and lines and all electrical connections and lines are easy to access.
 - Ensure that the tubes' identification is well visible.

Several units can be placed space-savily in rows with high nominal capacity to cover high capacities. With double or multiple row set-ups a substructure is required to guarantee sufficient air-side pressurising.

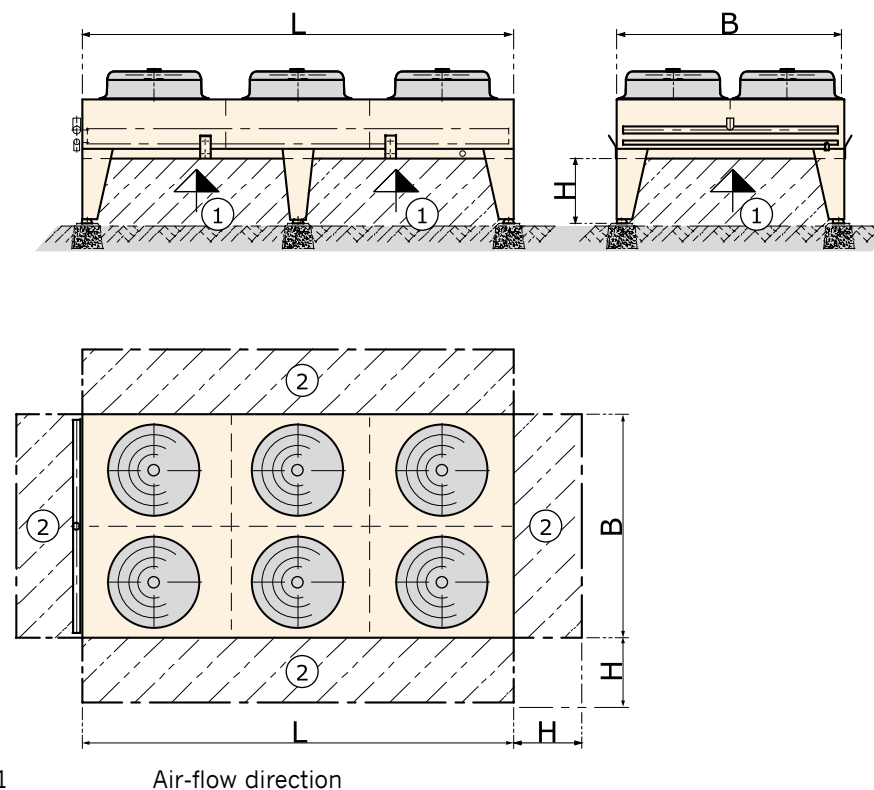
NOTICE

Danger of rusting of the vibration dampers or unit feet.

Installation of the unit in stagnant water or on surfaces on which water can collect (such as glycol protectors) can lead to rust on vibration dampers and unit feet.

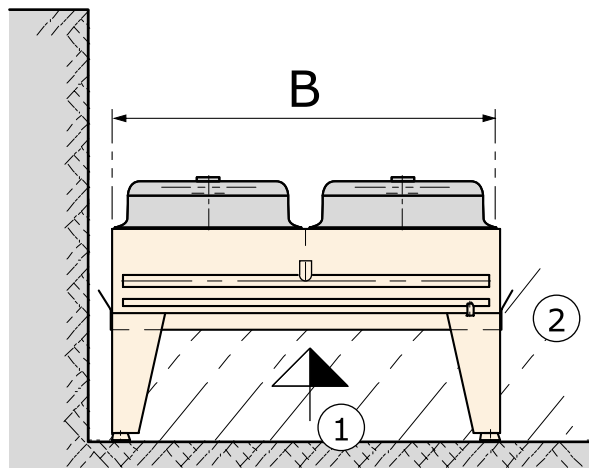
Rusting vibration dampers or unit feet cause instability of the unit.

Free-standing set-up generally



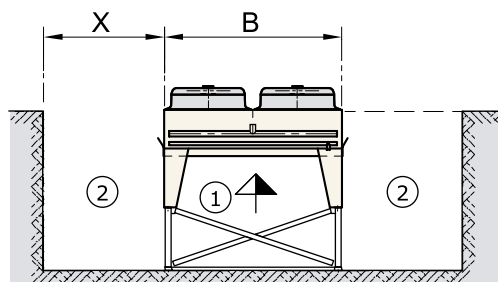
- 2 Head space required
 Unit dimensions: L = length, W = width, H = free flow height
 Face area of heat exchanger coil: $A_A = L * W$ (in m²)
 Afflux area below heat exchanger: $A_Z = 2(L+W) * H$ (in m²)
 Condition: $A_Z \geq A_A * 0.7$

Set-up next to a building wall

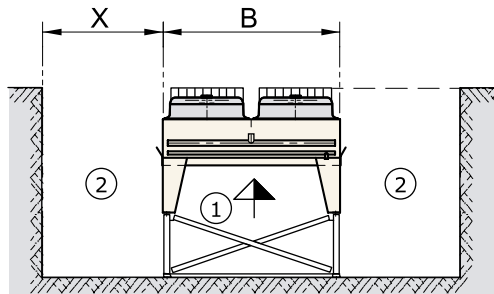


- 1 Air-flow direction
 2 Free area for air suction
 Unit standing lengthways alongside the building wall.
 Legs must be extended, from serial length to customized length
 400 mm to 800 mm
 600 mm to 1000 mm

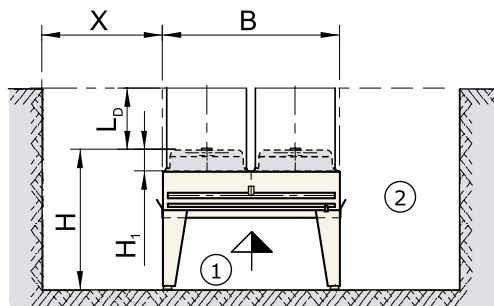
Set-up in a pit/hollow



- 1 Air-flow direction
 2 Free area for air suction
 Fans without additional device (without Güntner Streamer)
 $X \geq 0.7 * W$
 Fans with Güntner Streamer
 $X \geq 0.5 * W$
 Min. spacing X on both long sides

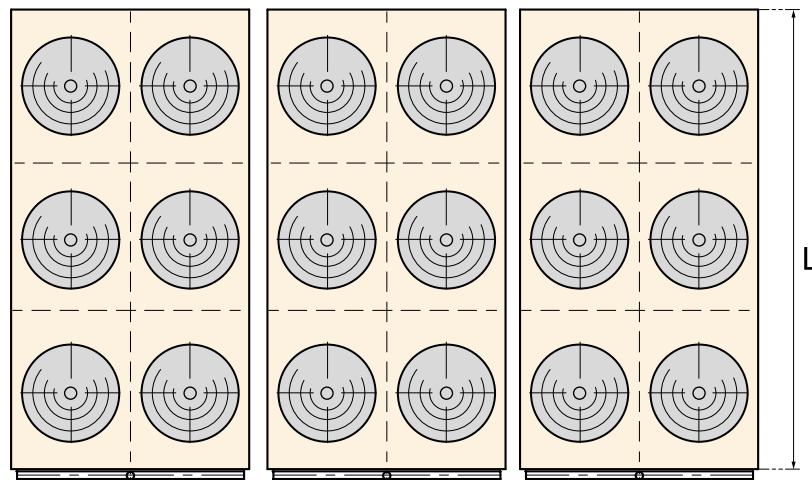
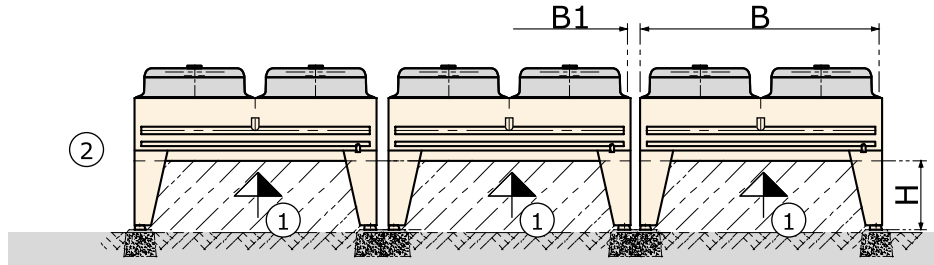


- 1 Air-flow direction
 - 2 Free area for air suction
- Fans with Güntner Streamer
(floor level is Streamer top edge)
 $X \geq 0.6 * W$
Min. spacing X on both long sides



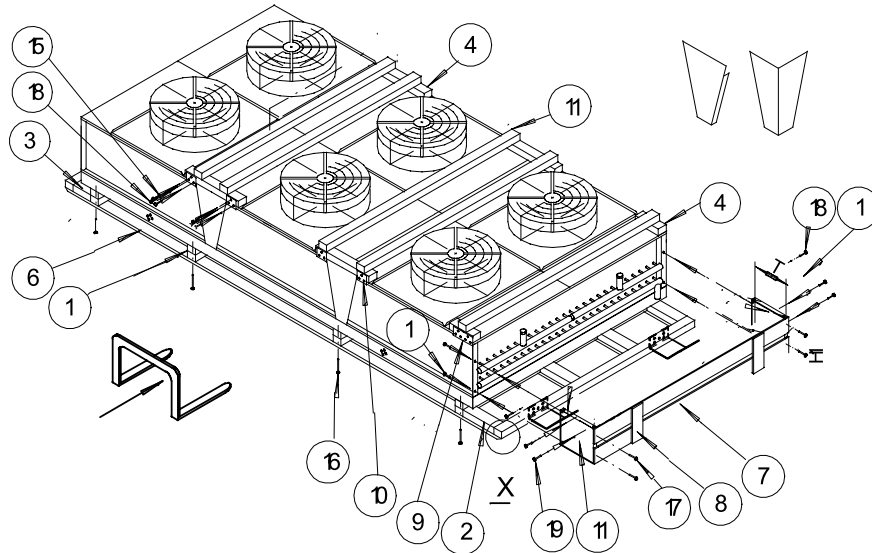
- 1 Air-flow direction
 - 2 Free area for air suction
- Fans with ventilation channel and rectifier
 $X \geq 0.5 * W$
 $L_D = 450 \text{ bis } 650 \text{ mm}$
 $H_1 = 200 \text{ to } 340 \text{ mm}$ (depending on fan diameter)
Min. spacing X on both long sides

Setting up several units



- 1 Air-flow direction
 - 2 Free area for air suction
- Recommended set-up
 Minimum clearance $B_1 = 80 \text{ mm}$ (necessary because of projection on vibration dampers):
 Face area of heat exchanger coil: $A_A = L * W * n$ (in m^2) n... Number of units
 Afflux area: $A_Z = 2 * L * H + 2 * n * W * H$ (in m^2)
 H results from the condition: $A_Z \geq A_A * 0.7$ (in m^2)
 $H = f(n; L, W)$

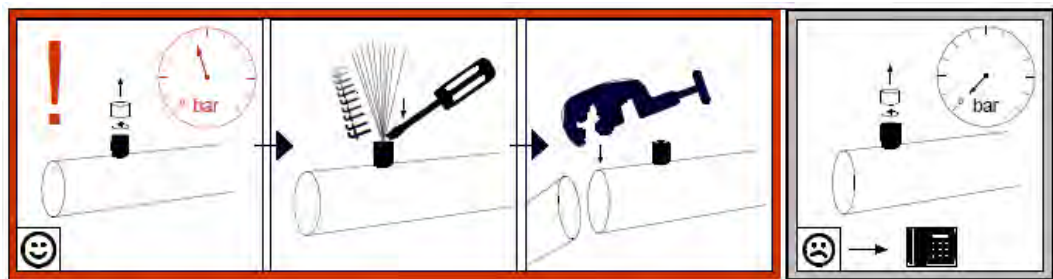
7.3 Unpacking the unit



- ▶ Remove side form boards, timbers and packaging material (1, 7, 8, 11, etc.).
- ▶ Remove form boards and timbers (1, 2, 3, 4, 5, 8, 9, 10, 11).

- ▶ Check that no parts are missing. You will find a list of the contents of the package in the order-related documents.
- ▶ Any transport damage and/or missing parts must be recorded on the delivery note. The facts must be immediately reported to the manufacturer in writing. Damaged fins can be straightened on-site with a fin comb.
- ▶ Check the transport excess pressure: The units are delivered from the manufacturer with approx. 1 bar transport excess pressure (cleaned and dried air). Check the transport pressure at the Schrader valve (pressure measurement). If the unit is unpressurised: Report this to the manufacturer immediately and make a note on the delivery note An unpressurised unit indicates a leak on the unit!

CAUTION! Danger of injuries and damage to property with escaping heat carrier! An unpressurised unit indicates a leak due to transport damage. Escaping heat carrier through leaks on the unit can cause injuries (see "Residual hazards due to refrigerant/ammonia (NH₃)", page 28). Do not put the unit into operation!



- 1 Screw off the cap.
- 2 Check the transport excess pressure: The units are supplied from the factory with transport excess pressure (cleaned and dried air). Release the transport pressure using the valve prior to installation. If the unit is unpressurised: Report this to the manufacturer immediately and make a note on the delivery note

NOTICE

Risk of corrosion and contamination!

Ammonia as a refrigerant is extremely hygroscopic, i.e. it attracts moisture. Moisture and dirt must be prevented from penetrating the unit.

Protect the unit against dust, dirt, moisture and wetness, damage and other harmful effects. Harmful effects: see "Safety instructions for set-up and start-up", page 44

Begin with the installation as soon as possible.

7.4 Installation

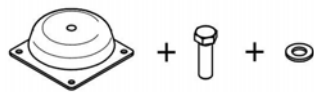
7.4.1 System-side requirements for stress-free installation


- ▶ Prevent stresses in the unit:
 - Ensure that all fixing points have the same spacing to the fixing level.
 - Ensure that all fixing points maintain the same spacing to the fixing level under load and permanently.
- ▶ Set up and fix units as follows: Airflow must not be impaired by obstructions.

- ▶ The units must be installed on fixing points that are appropriate for the unit's weight and then bolted with fixing bolts. The operator or installer of the equipment is responsible for ensuring that the bolted connections are of an adequate strength. The following instructions must be observed when fixing the units:
 - The diameter of the mounting holes have been statically determined by the manufacturer; the fixing bolts must be adapted accordingly. When calculating the transferring bearing strength it is imperative to take into account the total weight of the unit (= structural weight + weight of pipe content + additional weight, such as water, frost, ice, dirt or similar).
 - The fixing bolts must be secured against loosening with an appropriate locking device.
 - The fixing bolts must not be overtightened or stripped.
 - All fixing bolts must be tightened equally.
- ▶ Prevent the unit from shifting in its position. Fix the unit in its position. Tighten the fixing bolts and secure them against loosening.
- ▶ Only fix the unit to the intended fixing points.

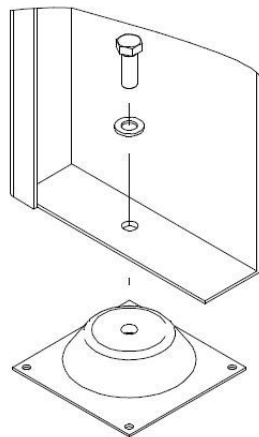
7.4.2 Mounting the vibration dampers (optional)

The optional vibration dampers are separately enclosed with the unit.



M8	-->	25Nm	
M12	-->	80Nm	
M16	-->	206Nm	
M20	-->	415Nm	

8.8



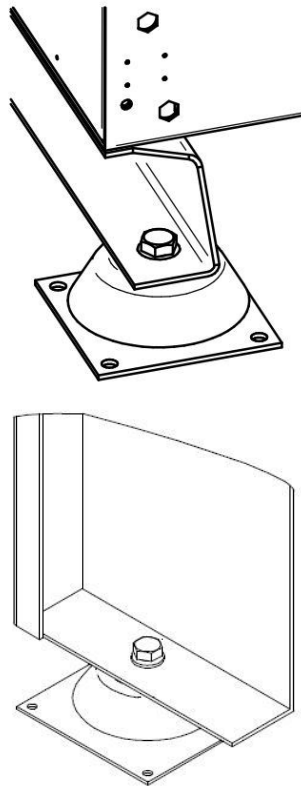
Type I

- ▶ Check that the list of package contents is complete.

Observe the specified torque.

- ▶ Assemble the individual parts in the order shown.

Pre-mounted vibration dampers



Type I

7.5 Notes on connecting the unit

⚠ WARNING

Danger of injuries and damage to property with escaping ammonia refrigerant!

Incorrect installation causes the danger of working fluid escaping when the unit is operated which can result in injuries or damage to property (see "Residual hazards due to refrigerant/ammonia (NH₃)", page 28).

Prevent working fluid from escaping from the unit into the environment.

- Secure all working fluid-carrying lines against mechanical damage.
- In areas that are used for internal traffic, only lay the pipelines to and from the unit with connections and fittings that cannot be removed.

Ensure that the on-site connections do not exercise any forces upon the distribution and header points. This can cause leaks on the working fluid connection points of the unit and on connection points of the on-site pipe-laying.

Ensure that:

- Release devices to prevent liquid escapes are provided and available.
- During system standstill periods, undercooled liquid is only present in the lowest possible amount in system components by minimising the number of dead end traps.

7.5.1 Connect the unit to the system

⚠ WARNING

Danger of injuries and damage to property!

Improper connection to the the system causes hazards:

- Leaks result in escaping toxic working fluid, NH₃(see "Residual hazards due to refrigerant/ammonia (NH₃)", page 28).
- Welding work on pressurised parts can result in fires or explosions.
- Soldering and welding work on pressurised parts can result in fires or explosions.
- Smoking or open light can cause fires or explosions.
- Ensure that stresses and vibrations from the system are not transferred to the unit.
- Only lay working fluid-side connections stress-free! The on-site pipeline system must be braced before connecting to the unit!
- Soldering work is only permitted on unpressurised units!
- Soldering and welding work is only permitted on unpressurised units!
- Evacuate the unit professionally in acc. with EN 378-2.
- The use of open fire at the installation site is forbidden. Fire extinguishers and extinguishing agents used to protect the equipment and the operating staff must comply with the requirements of EN 378-3.
- Ensure that refrigerant detectors and alarm systems for warning about explosion or fire dangers, about health-endangering concentrations and for control purposes at the unit set-up point are arranged in acc. with EN 378-3; section 7.

⚠ WARNING

Risk of damage to the unit!

In order to avoid stray currents, heat exchanger tubes or parts of the casing etc. must not be used as a current return line during welding work as these supporting and fitting parts are not designed for the large currents during welding.

Failure to observe this can result in an excess current which can damage components and cause damage during operation.

- ▶ Firmly connect the insulated welding current return line at the welding point to the workpiece to be welded or the collector.

⚠ WARNING

Risk of damage to unit!

In order to avoid stray currents, heat exchanger tubes or housing parts may NOT be used as current return during welding work, since these supporting and stop parts are not designed for the large welding currents.

In case of non-observance, fault current flashover may damage internal heat exchanger tubes of the component and cause damage during operation.

- ▶ Firmly connect the insulated welding return cable to the workpiece to be welded or to the pipe inlet (header) directly at the welding point.

- ▶ Install the pipes in acc. with EN 378-1 and EN 378-3. Ensure here:
 - Release devices to prevent liquid escapes must be provided and available.
 - That in shutdown state under-cooled liquid is only present in the lowest possible amount in system sections – minimized number of "fluid sacks".
 - That when switching over a duty pump to a reserve pump no liquid, cold refrigerant remains in the pump.

- Avoid transmitting vibrations to the unit via conduits or pipes. If necessary, use vibration dampers.
- The condensate drain pipe must run with a slight slope of 3–5°.
- Liquid and pressure lines must always run apart and must be insulated on both sides
- Special treatment is required when using ammonia-soluble refrigerator oils in the refrigeration system; it may be necessary to install dryers (ammonia-soluble refrigerator oils have an even greater affinity to water than NH₃ itself).
- The free space around the unit must be big enough to ensure there is no danger to the unit; regular maintenance of the components must be possible, and it must also be possible to check and repair components, pipes and fittings.
- It must be possible to shut off the unit if a leak occurs. It must be possible to activate all devices used for diverting escaping working fluids from a safe position.
- Electrical systems (e.g. for fan operation, for ventilation, for lighting and for the alarm system) must be installed in acc. with EN 378-3; section 6 at the set-up location while observing humidity condensation and drip water formation.
- ▶ Weld all connections in accordance with the regulations for steel. Please note:
 - Prevent leaks, weld precisely and carefully!
 - Prevent overheating when welding (danger of excessive scaling)
 - Use shielding gas when welding (prevent excessive scaling)!

7.5.2 Unit electrical connection and protection

All fans with rotating current drive can be operated via D-S switch-over with two different speeds:

- D: high speed
- S: lower speed
- ▶ Connect fan motors in acc. with motor connection wiring diagram in the motor terminal box or circuit diagram and check connection.
- ▶ Provide power supply in acc. with the specifications on the fan motor's type plate or circuit diagram:
 - The fan motors for the fan diameters 650 mm are operated in 1~ alternating current (IP 54).
 - The fan motors for the fan diameters 800 to 1000 mm are operated in 3~ alternating current (IP 54).
- ▶ Protection of fan motors required: Connect thermocontacts for the motor protection and evaluate them, if available.
- ▶ Provide and secure all electrical lines to the connection boxes/switch cabinets acc. to EN 60204-1. Ensure compliance with the IP protection class. Observe the information in the circuit diagram. The protection class is specified in the chapter "Technical data - fans".

WARNING

Risk of damage to property! If the fuse rating is too high there is the risk of injuries to people and damage to property.

7.6 Perform acceptance test

⚠ WARNING

Danger of injuries and damage to property!

Escaping ammonia refrigerant (NH₃) can cause injuries or even death (see "Residual hazards due to refrigerant/ammonia (NH₃)", page 28).

Perform the following acceptance test with an expert before starting up the unit after making important changes and after a unit exchange.

- ▶ Ensure that sufficient air can be sucked in and released.
- ▶ Ensure that the supply feed is sufficient for the required energy. Compare the unit inside of the system with the plans of the system and the electrical wiring diagrams.
- ▶ Test the unit for vibrations and movements that can be caused by the fans and operation of the system. Remove oscillations, vibrations and movements following consultation with the manufacturer or independently.
- ▶ Perform visual inspection of the structural design, the brackets and fixtures (materials, sequence, connections), the ability to operate and the arrangement of the fittings.
- ▶ Check and if necessary re-tighten all threaded connections, especially on the fans.
- ▶ Check installation of pipe connections.
- ▶ Check laying of working fluid-carrying connection pipes.
- ▶ Ensure that the unit is protected against mechanical damage.
- ▶ Ensure that the unit is protected against inadmissible heating up and cooling down.
- ▶ Check the fan blades protection.
- ▶ Ensure that optimum unit control and accessibility are guaranteed.
 - Is the unit placed so that it can be monitored and controlled from all sides at all times?
 - Is sufficient space provided for maintenance?
 - Are all working liquid-carrying components, connections and lines and all electrical connections and lines easy to access?
 - Are the tube identifications well visible?
- ▶ Check heat exchanger surfaces for dirt and clean as required (see "Clean unit", page 71).
- ▶ Perform function tests on the fans (rotation direction, power consumption, etc.).
- ▶ Check electrical connections of the fan motors for damage.
- ▶ Check the quality of the welding connections, the electrical connections and the fixture connections.
- ▶ Perform pressure test with test gas and with a test pressure of 1.1-times the permissible operating pressure: check the connection seals and detect leaks, e.g. with foaming agent, or similar.
- ▶ Check corrosion protection: Perform a visual inspection on all return bends, components and component holders that are not heat-insulated. Document and archive test results.
- ▶ Perform test run. Observe and check unit during test run, in particular for:
 - Fan smooth running (bearing noises, contact noises, imbalances, etc.).
 - Fan power consumption:
 - Leaks
- ▶ Report all defects to the manufacturer immediately. Remove defects following consultation with the manufacturer.
- ▶ Check the unit and the unit's interaction with of the system again after 48 operating hours, especially on the connections and on the fans, and document the test results.

7.7 Test readiness for operation

- ▶ Ensure that all electrical protective measures are ready to function.
- ▶ Ensure that all working fluid-carrying connections are securely in place.
- ▶ Ensure that all electrical connections (fans) are securely in place.
- ▶ Ensure that all threaded connections on the fans, the unit fixing bolts and all other threaded connections are firmly tightened.

7.8 Putting the unit into operation for the first time

WARNING

Danger of injuries and damage to property!

Escaping ammonia refrigerant (NH₃) can cause injuries or even death (see "Residual hazards due to refrigerant/ammonia (NH₃)", page 28).

You can put the unit into operation, only when:

- The unit has been properly mounted and connected (see "Installation", page 53),
- You have performed a complete acceptance test (see "Perform acceptance test", page 58),
- You have checked the unit's readiness for operation (see "Test readiness for operation", page 59) and
- All safety precautions (see "Safety", page 44) have been taken.

Follow the instructions manual of the system!

Contact the manufacturer immediately if you want to operate the unit under different operating conditions as those defined in the order-related offer documents.

- ▶ Switch on the system including the electrical system (see installation manual of the system).
- ▶ Activate the unit:
 - Open the valves on the inlet and outlet side system
 - Activate fans
- ▶ Wait until the operating point is reached. Once the operating point is reached, the unit is ready to operate (see instructions manual for the system).

Parameters for setting the operating point, see order-related offer documents.

Operating point:

- Condensation temperature
- Airflow volume
- Air inlet temperature

To ensure the specified operating point is complied with the actuators for the operating point setting must be secured against unauthorized access (e.g. by sealing, screwing on caps, removing hand wheels, etc.).

8 Operation

8.1 Safety

⚠ WARNING

Danger of cutting off, pulling in!



There is a danger of cutting off fingers on the rotating fan blades, injury hazard for the hands and pulling in danger with loose elements such as hair, necklaces or clothing parts.
Do not operate fans without guard grille!

⚠ WARNING

Burn hazard!



Danger of burns if parts are touched (see "Thermal residual hazards", page 27).
Do not touch any parts of the unit without protective gloves when the unit is in operation or if it has not yet cooled down again after operation.



8.2 Putting the unit into operation

To operate the unit, the refrigeration system must be in operation, including the electrical system. The unit must be started up by opening the respective valves on the inlet and outlet-side of the refrigeration system, by connecting the electrical system as follows (see refrigeration system instructions manual):

- ▶ Switch on electrical system
- ▶ Open working fluid-carrying lines
- ▶ Switch on fans

8.3 Taking the unit out of operation

The units are system components of a refrigerating system. The unit is taken out of operation by switching off the refrigeration system in acc. with the refrigeration system instructions manual. To do this, the working fluid-carrying lines of the refrigeration system and the fans of the electrical system must be shut off (see refrigeration system instructions manual):

- ▶ Switch fans off
- ▶ Switch electrical system off

- ▶ Close working fluid-carrying lines
- ▶ **NOTE! When shut down consider max. operating pressure! If necessary, take precautions to ensure that it cannot be exceeded, or drain the device.**

NOTICE

With shutdown times of a month or longer put the fans into operation for approx. 2-4 hours a month to maintain their functionality.

8.3.1 Shutdown, dismantling and disposal

Safety

⚠ DANGER



Risk of injuries owing to electrical voltage!

Direct and indirect contact with live cables can cause serious injuries or death.

- Have the work carried out only by a qualified electrician.
- Work should be carried out in accordance with local regulations, e.g. DIN VDE 0105/EN 50110.



NOTICE

See "Safety"

Procedure

- ▶ Disconnect all systems from the power supply.
- ▶ Make sure that the system is drained.
- ▶ Follow the steps shown in chapter "Installation" in reverse order.
- ▶ Dispose of the materials separately according to the applicable laws and regulations. The pads can be disposed of with the residual waste.

8.4 Shutting the unit down

⚠ WARNING

Danger of injuries and damage to property!

Escaping NH₃ refrigerant can cause injuries or even death (see "Residual hazards due to refrigerant/ammonia (NH₃)", page 28, and see "Residual hazards caused by pressurised parts", page 30).

Ensure that the maximum operating pressure is not exceeded after the shutdown either!

NOTICE

Danger of corrosion and dirt build-up!

Ammonia as a refrigerant is extremely deliquescent, i.e. it attracts moisture. Moisture and dirt must be prevented from entering the unit.

Protect the unit against dust, contamination, moisture and wetness, damage and other harmful influences (see "Safety instructions for set-up and start-up", page 44).

With shutdown times of a month or longer put the fans into operation for approx. 2-4 hours a month to maintain their functionality.

- ▶ Take the unit out of operation (see "Taking the unit out of operation", page 60)
- ▶ Secure the unit:
 - When shutdown consider max. operating pressure (see "Technical data", page 36)! If necessary, take precautions so that it cannot be exceeded.
 - Secure the fan motor drives against switching on again
 - Secure working fluid-carrying lines against pressurizing with working fluid.
 - Protect against damaging effects at the set-up point or intermediate storage location (see "Safety instructions for set-up and start-up", page 44), so that the unit's components are kept properly looked after and the proper intentional use and usability of the unit are maintained. The corresponding storage conditions must be provided for this (see "Storage before installation", page 42); precautionary corrosion protection measures, regular checking of the fans' functionality and regular checks on the shutdown unit must be carried out.
- ▶ Siphon off the unit: Completely release working fluid and, if applicable, refrigerator oil (see "Residual hazards with disposal", page 34; instructions manual).

8.5 Putting the unit into operation after a shutdown

The unit must be put back into operation in acc. with the system-specific set-up in acc. with the instructions manual of the system as follows:

- ▶ Test the unit's readiness for operation (see "Test readiness for operation", page 59). Perform pressure test and visual inspection for corrosion protection.
NOTE! The pressure test with recommissioning must only be carried out with appropriate media at appropriate test pressure.
- ▶ Put the unit into operation (see "Putting the unit into operation", page 60)

8.6 Changing the unit over to another working fluid

⚠ WARNING

Danger of injuries and damage to property!

Considerable dangers can be caused when operating the unit with another working fluid without prior manufacturer approval (see "Improper use", page 24).

The unit must not be changed over to another working fluid without prior written consent of Güntner GmbH & Co. KG!

- ▶ Ensure that the unit manufacturer has agreed to the changeover.
- ▶ Ensure that the right working fluid is re-filled. Ensure that all materials used in the unit are compatible with the new working fluid.
- ▶ Ensure that the permissible pressure is not exceeded.
- ▶ Check that the new working fluid can be used without requiring a new test certificate for the unit. Ensure that classification is complied with.
- ▶ The safety device for the unit must be swapped out or reset.
- ▶ Mixtures with residues of working fluid and oil, for example, must be prevented.
- ▶ All information concerning the new working fluid must be changed accordingly.
- ▶ Change the complete documentation including these instructions and the instructions manual of the system accordingly.
- ▶ Perform acceptance test (see "Perform acceptance test", page 58).

9 Troubleshooting

9.1 Safety

⚠ WARNING
<p>Danger of injuries and damage to property!</p> <p>Faults that are not described in these instructions must only be removed by Güntner . Contact the Güntnerhotline.</p> <p>Faults that are described in these instructions must only be removed by appropriately trained personnel (see "Personnel, care requirements", page 22).</p> <p>With faults that occur during the operation, monitoring and maintenance of the complete system, inform Güntner GmbH & Co. KG immediately.</p>

9.2 Service

Office hours

Tel. +49 8141 242-473
 Fax. +49 8141 242-422
 E-mail: service@guentner.com
 Mon-Thurs: 7.30 am - 5 pm
 Fri: 7:30 am - 13:00

9.3 Troubleshooting table

Fault	Possible cause(s)	Remedy
Fan motor not running	Power supply interrupted	Restore power supply
	Fan blade stuck	Enable fan to rotate freely
Bearing noises	Defective fan motor	Renew bearing or fan motor
Unit vibrating	Defective fan blades	Change fan blades
	Loose fan fixture	Tighten fixtures
Unit capacity not achieved	Heat exchanger is very dirty on the air side	Clean
	Fans not running properly or down	Repair, exchange fans
	Working fluid pressurising defective (temperature and quantity insufficient)	Set working fluid pressurising values (temperature and quantity) to reference values.
Working fluid escaping	Unit working fluid-carrying components leaking	Switch off working fluid feed and fans, close leak

9.4 Dealing with faults

- ▶ Try to determine the size of the leak.
- ▶ If the room can be entered with a protective device for the respiratory system,
 - provide emergency ventilation before entering the room
 - shut off refrigerant feed
- ▶ With the tiniest suspicion of injured people in the area, sound the alarm. First get people to safety, then remove leaks. Close all doors to the room in which the is escaping.
- ▶ Activate Emergency STOP switch. Valves, motors and other components are therefore switched off to prevent from escaping.
- ▶ Close shut-off valves, especially to the liquid side, where possible in sections, so that the quantity in the leakage area is kept as low as possible. If possible evacuate/drain the systemssection in question and to other systems sections.
- ▶ If an ammonia puddle has formed on the floor under the unit, covering with a film (PE, for example) or synthetic medium expansion foam (fire department) can cut off almost all the heat dissipation to this liquid and therefore the vapour formation, so that there is enough time for disposal measures.

10 Maintenance

10.1 Safety

10.1.1 Before starting all maintenance

⚠ WARNING

Danger of injuries and damage to property with escaping working fluid!see "Residual hazards due to refrigerant/ammonia (NH₃)", page 28).

Only perform maintenance work – especially welding work – on the leaking unit after completely removing the working fluid from the unit!


Perform the following safety measures before beginning all maintenance work:

- drain the unit's heat exchanger
- Clean and blow out the unit's heat exchanger.

10.1.2 With all maintenance work


⚠ **WARNING**

Danger of injuries and damage to property with escaping ammonia refrigerant! Escaping NH₃ refrigerant can cause the following hazard situations and injuries with leaks on the evaporator:




Warning against explosion-risk and fire-risk substances in the set-up room! Unintentionally carried in oil residue and unintentionally carried in NH₃ refrigerant can ignite.


- Ensure that there is no unintentionally carried in NH₃ refrigerant and no unintentionally carried in oil in the set-up room.
- Keep the risk area free of direct and indirect ignition sources.
- Before releasing for maintenance for the unit obtain the required approvals for work that can involve ignition sources (e.g. grinding, welding, soldering, etc.).
- With all work involving ignition sources (e.g. grinding, welding, etc.) in the work area, keep suitable fire extinguishing equipment that meets the requirements of EN 378-3 at hand.
- Do not bring any open flames or hot gases (e.g. candles, matches, welding beads, welding sparks, glowing cinders or tobacco) into the set-up room.
- Ensure that there are no warmed up or hot surfaces (e.g. heaters, hot-plates, bulbs, motor housings) in the set-up room.
- Ensure that no friction heat develops in the set-up room (e.g. overheated stores).




Warns against corrosive substances in the set-up room! NH₃ refrigerant still present is corrosive. Contact with the skin, mucous membranes and the eyes with NH₃ refrigerant under defervescence causes chemical burns on the skin, mucous membranes and the eyes.

- Use eye protection!
- Use hand protection!









Warns against toxic and health-endangering irritants in the set-up room! Still present NH₃ refrigerant under defervescence can evaporate. Inhalation of refrigerant vapour is poisonous.

- Escaping refrigerant vapour and escaping refrigerant liquid must not reach adjacent rooms, staircases, yards, passages or drainage systems.
- Use respiratory protection.
- Use a room air-independent breathing apparatus with maintenance work in high ammonia concentrations in the room air.
- Ensure the set-up room is well ventilated.
- Divert escaped refrigerant vapour and escaped refrigerant liquid safely.





Warns against cold! Still present NH₃ refrigerant under defervescence has a temperature of -33 °C. Contact with NH₃ refrigerant under defervescence caused by spraying causes frostbite.



- Use eye protection!
- Use hand protection!



- Ensure that the unit in question is pressure-free before maintenance work begins or the working fluid is sucked up from the unit in question.
- Power off the electrical system and secure it against unintentional switching on again.
- Separate the unit to be maintained from the refrigeration system and secure it.

NOTICE



Danger of damage to property!

With work in the inlet and outlet feeds of the fans and heat exchanger, objects can get into the fans and therefore cause faults and damage on the components.

- Power off the fans and, where applicable, the heater rods with electric defrosting (accessory at customer's request) before beginning maintenance work and secure them against switching on again.
- After the work has finished do not allow any objects to get back into the inlet and outlet feeds of the fans or the set-up room.

⚠ WARNING

Only step on to the units when required and only with firm, tough and safe footwear.

If the units do not have any railings, always only walk on them when required and with a safety device that prevents falling.

10.1.3 After all maintenance work

⚠ WARNING
<p>Danger of injuries and damage to property with escaping ammonia refrigerant (see "Residual hazards due to refrigerant/ammonia (NH₃)", page 28)!</p> <p>Perform the following safety measures after finishing all maintenance work:</p> <ul style="list-style-type: none"> • Ensure the switching and activation devices, the measuring and display devices and the safety devices function properly. • Ensure the working fluid fittings are functioning. • Ensure that the swivel fan units (optional) and the hinged side covers are fixed in their original position and secured against unintentional or unauthorised opening. • Check the identification of the pipelines and ensure this is visible and legible. • Check the fixing and corrosion protection of the components in question. • Ensure that the electrical connections (e.g. fans) are functioning. • Ensure the temperature and air humidity at the set-up point are the same as that in the order-related offer documents. • Perform a pressure test and a leak tightness test (see instructions manual of the system). • Perform an acceptance test (see "Perform acceptance test", page 58) • Perform a pressure test (see instructions manual of the system).

10.2 Inspection and maintenance plan

The regular checking of the safety-related important system part, in an ammonia refrigeration system, is a prerequisite for meeting the requirements of the Federal German Immission Control Act. Repeated tests in acc. with § 15 must be performed either by a "qualified person" in acc. with § 2, section 7 of the German Ordinance on Industrial Safety and Health, or by a certified inspection agency. The operator must determine the test intervals for the complete system and the system components on the basis of a safety-related evaluation. Nevertheless, as with every technical installation, whereby it can generally be said the most frequent causes are not material errors, but operating errors, certain incidents cannot be ruled out.

The checks to be performed are listed in the following sections as time-scaled checklists.

10.2.1 Fans


The manufacturer's operating specifications take priority for this component. The Güntner GmbH & Co. KG recommends proceeding in accordance with the following inspection and maintenance plan:

d = daily, w = weekly, m = monthly, y = yearly				
Work to be performed	d	w	m	y
Check the fans for dirt build-ups. <ul style="list-style-type: none"> • With dirt build-ups: Clean fans (see "Clean unit", page 71). 				X *
Check the fan drive for smooth running.				X *

d = daily, w = weekly, m = monthly, y = yearly				
Work to be performed	d	w	m	y
<ul style="list-style-type: none"> Vibrations on the unit: remove imbalances Where required, tighten and correct blade fixtures and blade settings 				
Fan bearing: Running sound and smoothness changes <ul style="list-style-type: none"> Replace fan 				X*
Fan motor: Is a new bearing due? <ul style="list-style-type: none"> Replace fan 				X*
Fan wheel: corrosion on bolts (with threaded blades) <ul style="list-style-type: none"> Replace fan 				X*
Fan blades: Corrosion or damage on blades <ul style="list-style-type: none"> Replace fan 				X*

*) Recommended: every six months

10.2.2 Unit heat exchanger

 WARNING
Danger of injuries and damage to property with escaping ammonia refrigerant (see "Residual hazards due to refrigerant/ammonia (NH ₃)", page 28)!
Perform a regular external check (visual inspection) on the unit every 5 years. Güntner AG & Co. KG recommends you have this test performed by an expert.

d = daily, w = weekly, m = monthly, y = yearly				
Work to be performed	d	w	m	y
Check heat exchanger for dirt build-ups. <ul style="list-style-type: none"> With dirt build-ups: Clean heat exchanger (see "Clean unit", page 71). 				X*
Check heat exchanger's general condition. <ul style="list-style-type: none"> Damage found: Repair damage 				X*
Check heat exchanger's operating point (see "Operation", page 60). <ul style="list-style-type: none"> If change in fan capacity found: Restore required system-side conditions . If change in surface temperatures found: Restore required system-side conditions . 				X*
Check heat exchanger and connections for tightness. <ul style="list-style-type: none"> Repair unit sections (see "Remove leaks", page 71 instructions manual). 				X*
Check heat exchanger for working fluid pressurising. <ul style="list-style-type: none"> Restore required system-side conditions. 				X
Check heat exchanger for corrosion. <ul style="list-style-type: none"> Corrosion or damage on core tubes, fins, support structures, tube connections, fixtures: repair unit sections affected. 				X*

*) Recommended: every six months

10.3 Maintenance work

10.3.1 Remove leaks

▲ WARNING

Danger of injuries and damage to property with ammonia as refrigerant (see "Residual hazards due to refrigerant/ammonia (NH₃)", page 28)!

- Have leaks removed as quickly as possible by an expert.
- Do not fill with a working fluid other than that specified in acc. with the order-related offer documents!
- Only put the unit back into operation when all leaks have been repaired.

- ▶ Perform all work including pressure, acceptance and functional test (see "Perform acceptance test", page 58, and see "Test readiness for operation", page 59 instructions manual).

10.4 Clean unit

10.4.1 General

The following applies for cleaning: The operator must ensure that the cleaning agents are environmental friendly and compatible for the materials in the system. Harmful to the environment substances, e.g. acid-forming, are forbidden.

- ▶ Clean casing by rinsing with warm water (approx. +25°C) and/or with environmentally friendly cleaning agents.
- ▶ Rinse thoroughly with water after using cleaning agents.
- ▶ Allow casing to dry completely.
- ▶ Check working fluid-side and electrical connections (see "Test readiness for operation", page 59 instructions manual).

10.4.2 Defrost heat exchanger

- ▶ Drain the unit (see system).
- ▶ Shut off the unit (see system).
- ▶ Power off the fans (see system).
- ▶ Clean the heat exchanger with one of the following procedures:
 - Cleaning with compressed air (see "Cleaning with compressed air", page 72)
 - Hydraulic cleaning (see "Hydraulic cleaning", page 72)

NOTICE

Danger of damage to property!

The fins can be damaged with too high a pressure, too small a distance or a cleaning jet that hits the fins at an angle. Mechanical cleaning with hard objects (e.g. steel brushes, screw drivers, or similar) damages the heat exchanger.

- Use a pressure of max. 50 bar with hydraulic cleaning and max. 80 bar with cleaning with compressed air!
- Maintain a minimum distance from the fins of 200 mm!
- Always aim the jet vertically (max. ± 5 degree deviation) at the fins!
- Do not use any hard objects when cleaning!

- ▶ Switch fans on (see system).
- ▶ Open liquid side (see system/CO2 system operating instructions manual).
- ▶ Open inlet side (see system operating instructions manual).
- ▶ Open high pressure side (see operating instructions manual).

10.4.2.1 Cleaning with compressed air

- ▶ Blast heat exchanger with compressed air (max. 80 bar pressure) to remove dirt and contaminants.

NOTE! Hold the jet of the compressed air cleaner vertically with respect to the heat exchanger (max. deviation of ± 5 degrees) to prevent fins bending.

10.4.2.2 Hydraulic cleaning

⚠ WARNING



Warns against dangerous electrical voltage!

Direct and indirect contact with voltage-carrying parts of motors and electrical lines can cause serious injuries or death. Water and cleaning agents conduct electricity.

- When working with water or steam jets, power off the fans and secure them against switching on again.

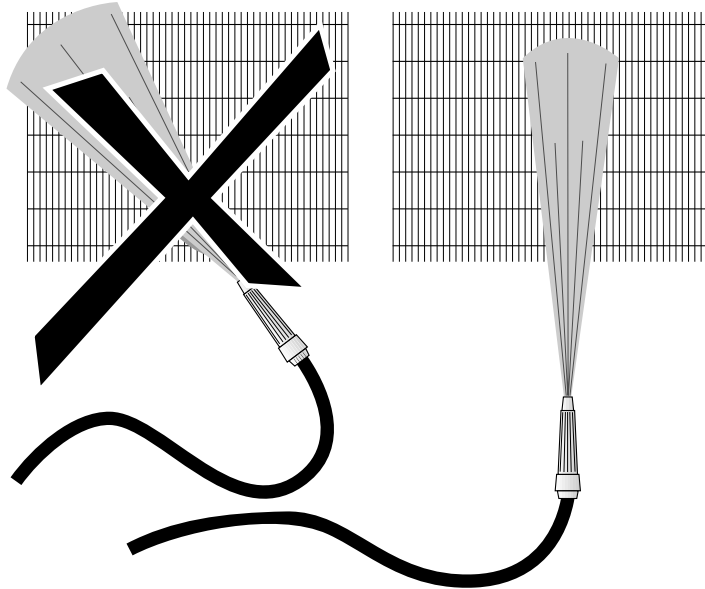
NOTICE

Danger of damage to property!

Water or steam jets can damage fans, electrical lines or other components.

- Ensure that electrical connections and motors, as well as components and stored goods at the set-up point are not touched by water or steam jets. Cover these if required.
- ▶ Heavier moisture or greasy dirt must be removed with a high-pressure water jet (max. 50 bar pressure), steam pressure jet (max. 50 bar pressure), min. 200 mm distance with flat jet nozzle, or using neutral cleaning agent where applicable, always against the airflow direction. Ensure here:
 - With oily and greasy dirt it helps to add a cleaning agent to the water.
 - When applying chemical agents ensure that they are not aggressive towards the unit's materials. Rinse the unit off after the treatment.

- Cleaning should be done from inside to the outside (but always opposing the dirt on-set) and from top to bottom, so that the dirt can be removed without returning.
- Hold the jet of the cleaner vertical to the fins (heat exchanger – max. deviation of ± 5 degrees) to prevent fins from bending.



- ▶ Continue cleaning until all dirt has been removed.

10.4.3 Cleaning fans

⚠ WARNING

Danger of cutting off, pulling in!

There is a danger of cutting off fingers on the rotating fan blades, injury hazard for the hands and pulling in danger for loose elements such as hair, necklaces or clothing parts.

- Power off the unit before you begin maintenance work. Secure the unit against unintentional switching on again by removing the electric fuses for the unit. Secure the unit with a suitable warning sign referring to unintentional switching on.
- Put fans and guard grilles that were removed or opened for maintenance back into their original status without fail before you put the unit back into operation!

Dirt deposits on the fans, the streamers or air outlet connectors (if installed), the streamers and the fan protection grilles must be removed regularly because they can lead to imbalances or capacity loss or even destroy the fans. The fan motors themselves are maintenance-free.

- ▶ Power off the unit and secure it against unintentional switching on.
- ▶ Clean fans with one of the following procedures:
 - NOTE! Danger of damage to property! Mechanical cleaning with hard objects (e.g. steel brushes, screw drivers, or similar) damages the fan. Forbidden!**
 - Cleaning with compressed air: Blow fans with compressed air (max. 10 bar pressure; min. distance 200 mm) to remove dirt and contaminants. Continue cleaning until all dirt has been removed.
 - Cleaning with compressed air and brushes: Remove dry dust or dirt with a brush, a hand brush or with compressed air (max. 10 bar pressure, min. distance of 200 mm) or with a powerful industrial vacuum cleaner. Ensure here: use soft brushes (no steel brushes or similar)! Continue cleaning until all dirt has been removed.

- ▶ Mount protection grilles, streamers or air outlet connectors (if installed)
- ▶ Switch unit on

11 Plans/diagrams

11.1 Electrics documentation

11.1.1 Fan motor connection diagram

See motor terminal box cover inside on the fan.